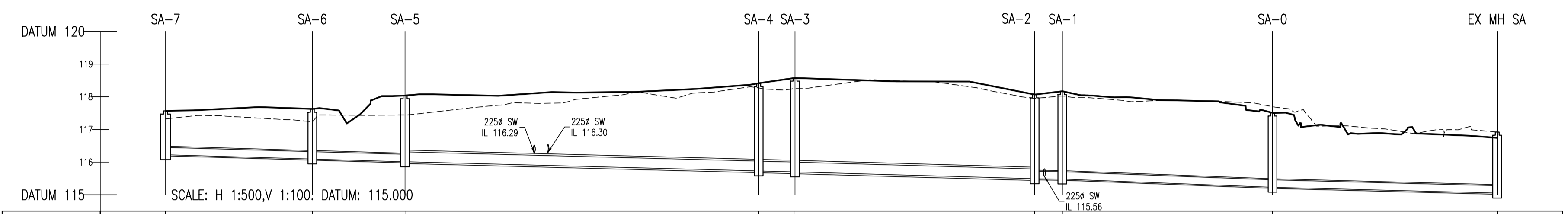
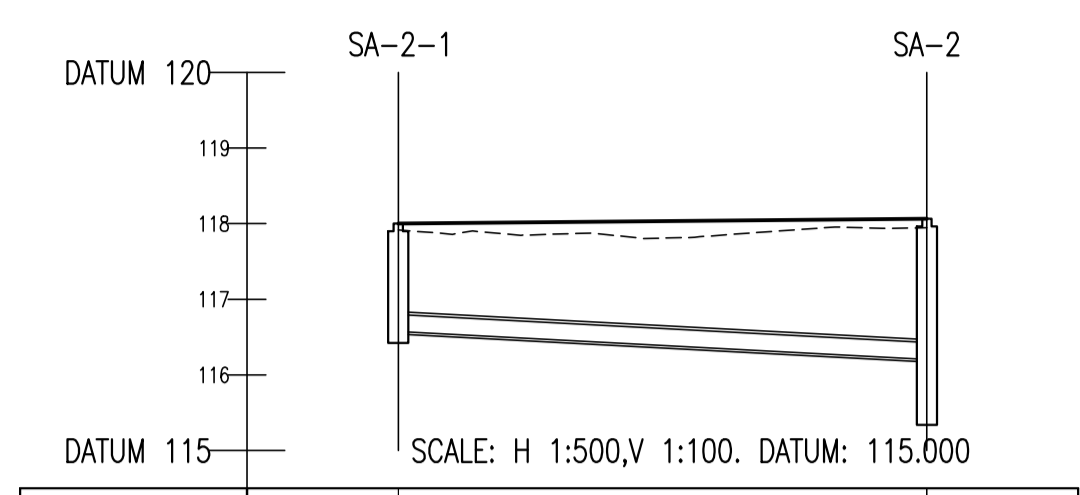


- NOTES:
- ALL DRAWINGS TO BE CHECKED BY CONTRACTOR ON SITE AND ENGINEER INFORMED OF DISCREPANCIES BEFORE WORK COMMENCES
 - ALL LEVELS ARE IN METRES AND ARE RELATED TO ORDNANCE DATUM
 - CONTRACTOR SHALL SATISFY HIMSELF AS TO THE ACCURACY OF PAVEMENT LEVELS ON SITE PRIOR TO COMMENCEMENT OF WORKS ON SITE
 - ALL WORKS TO BE CONSTRUCTED IN ACCORDANCE WITH THE NRA SPECIFICATION FOR ROAD WORKS UNLESS NOTED OTHERWISE
 - THIS DRAWING IS FOR PLANNING PURPOSES ONLY
 - MANHOLE COVER LEVELS ARE TO CONFORM WITH FINISHED ROAD AND PATH LEVELS
 - WHERE COVER TO PIPE IS LESS THAN 1200mm (ROAD/PATH/VERGE) OR 900mm (OPEN SPACE) SURROUND PIPE IN MINIMUM 150mm CONCRETE

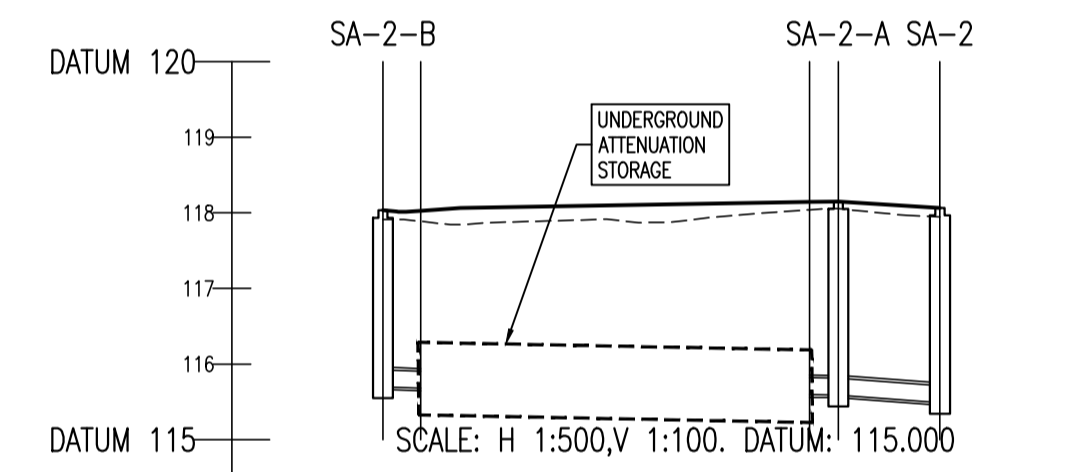
KEY
 - - - - - EXISTING GROUND PROFILE
 _____ PROPOSED GROUND PROFILE



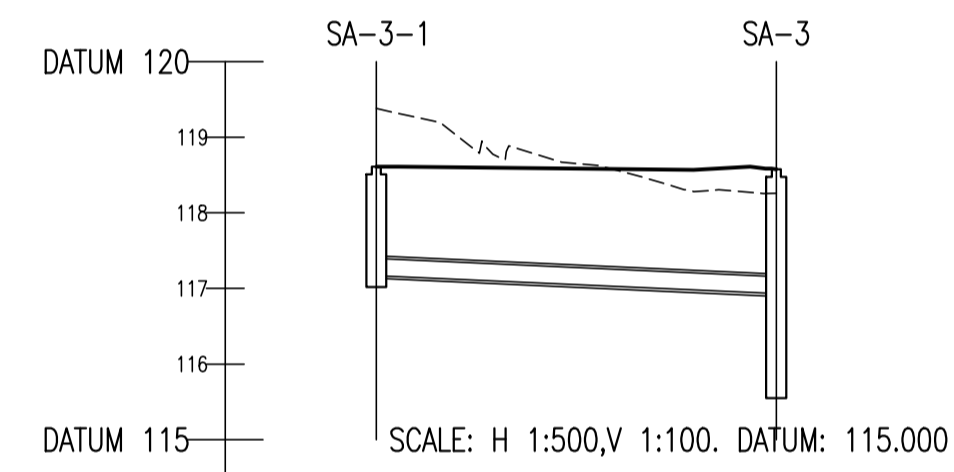
COVER LEVEL	117.567	117.626	118.036		118.413	118.575	118.065	118.165	117.507	116.919
INVERT LEVEL	116.225	116.093	116.010	116.010	115.730	115.700	115.490	115.480	115.230	115.050
DEPTH (m)	1.342	1.533	2.026		2.683	2.875	2.575	2.685	2.277	1.869
DISTANCE (m)		22.44	14.19		54.09		4.23	32.14		34.37
PIPE SLOPE		1:170	1:171		1:193	1:185	1:175	1:423	1:129	1:191
PIPE SIZE		225mm	225mm		300mm	300mm	300mm	225mm	225mm	225mm



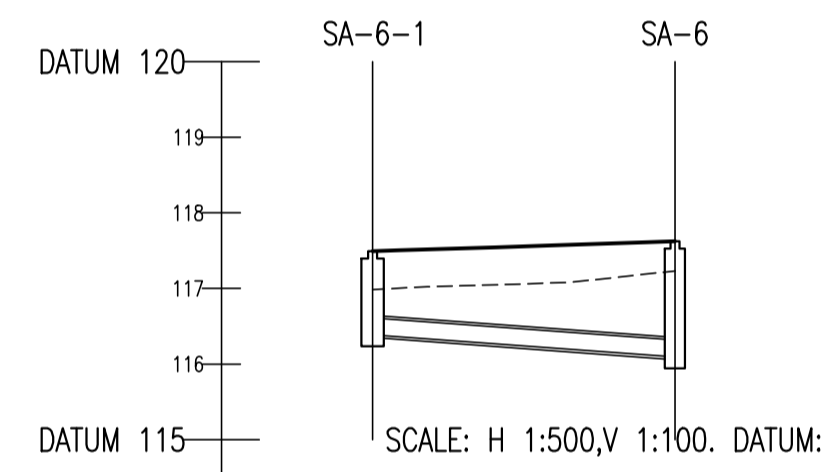
COVER LEVEL	116.002	118.065
INVERT LEVEL	116.575	116.205
DEPTH (m)	1.427	2.575
DISTANCE (m)		34.97
PIPE SLOPE		1:95
PIPE SIZE		225mm



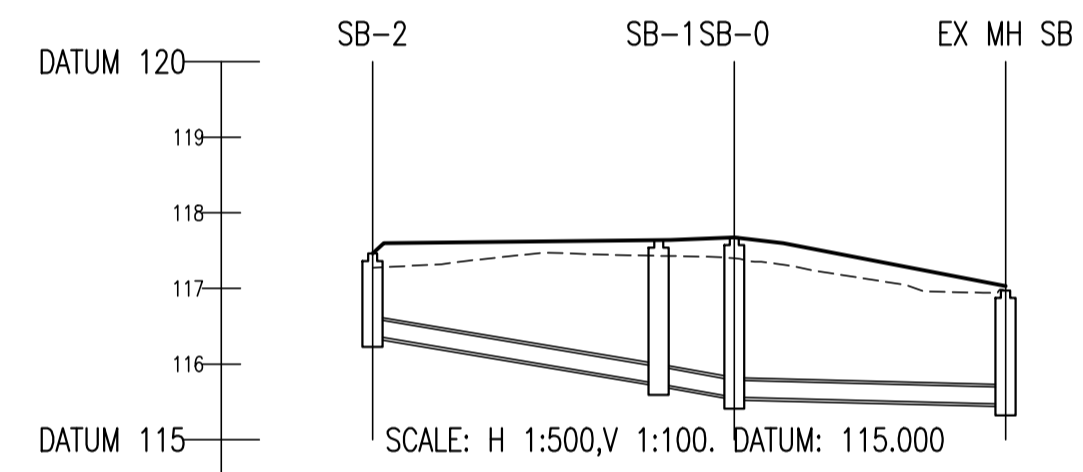
COVER LEVEL	118.032	118.150	118.065
INVERT LEVEL	115.700	115.594	115.490
DEPTH (m)	2.332	2.560	2.575
DISTANCE (m)		6.72	
PIPE SLOPE		1:67	
PIPE SIZE		225mm	



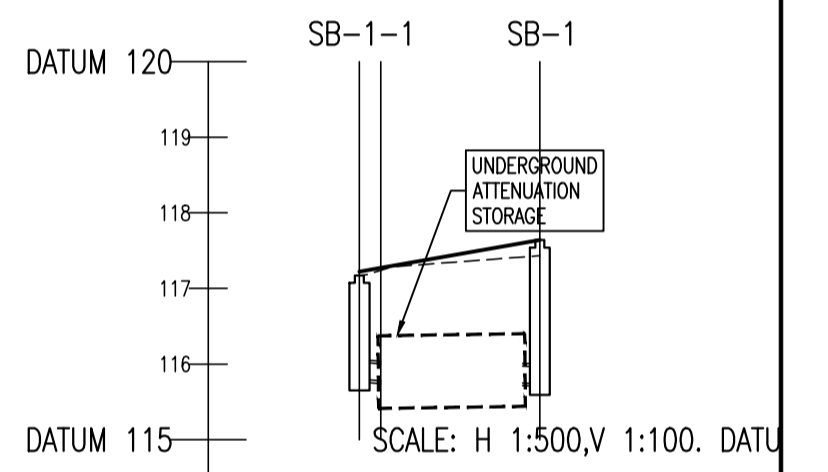
COVER LEVEL	118.610	118.575
INVERT LEVEL	117.170	116.930
DEPTH (m)	1.440	2.275
DISTANCE (m)		26.45
PIPE SLOPE		1:110
PIPE SIZE		225mm



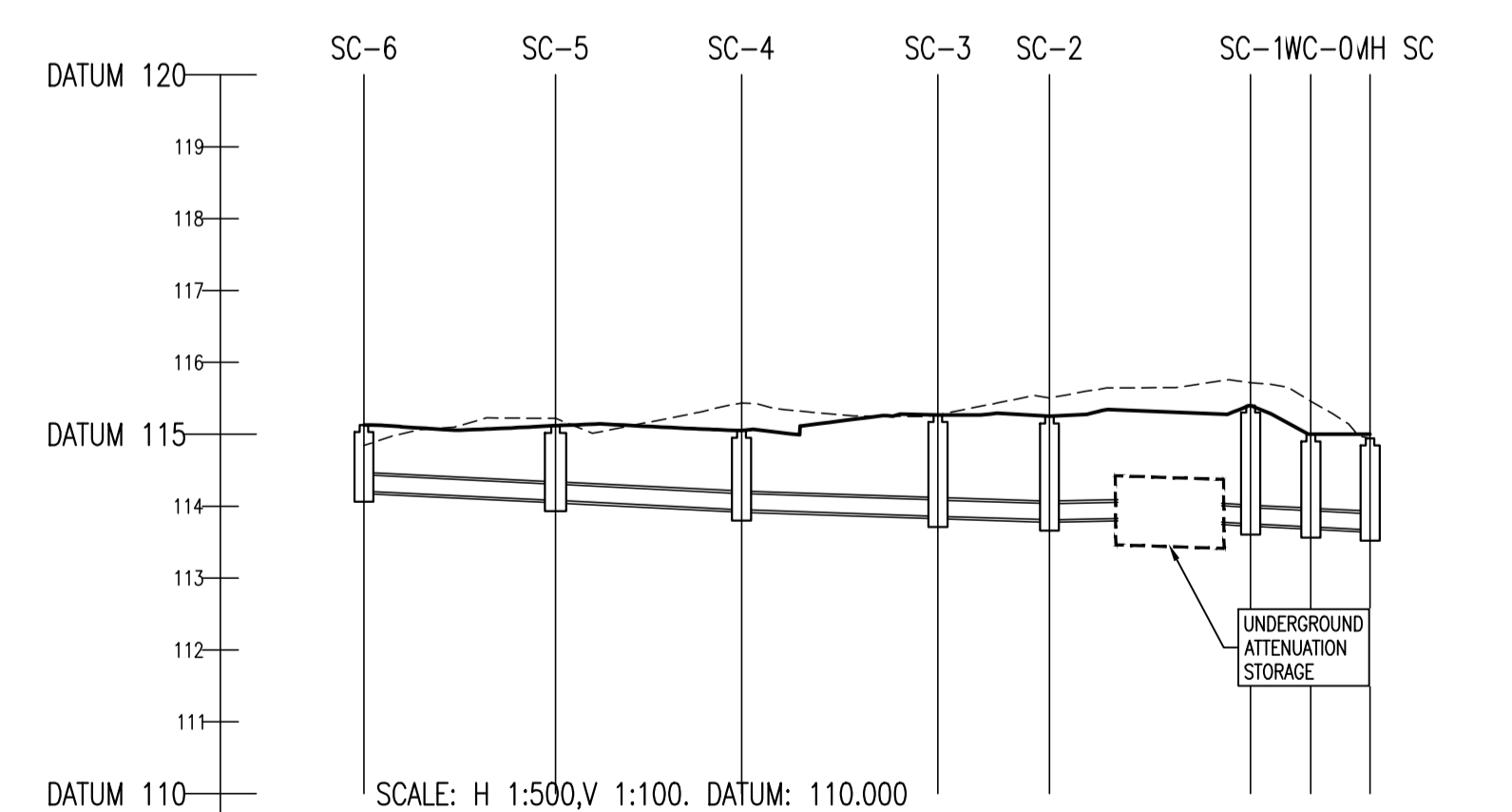
COVER LEVEL	117.484	117.626
INVERT LEVEL	116.385	116.093
DEPTH (m)	1.109	1.333
DISTANCE (m)		20.00
PIPE SLOPE		1:68
PIPE SIZE		225mm



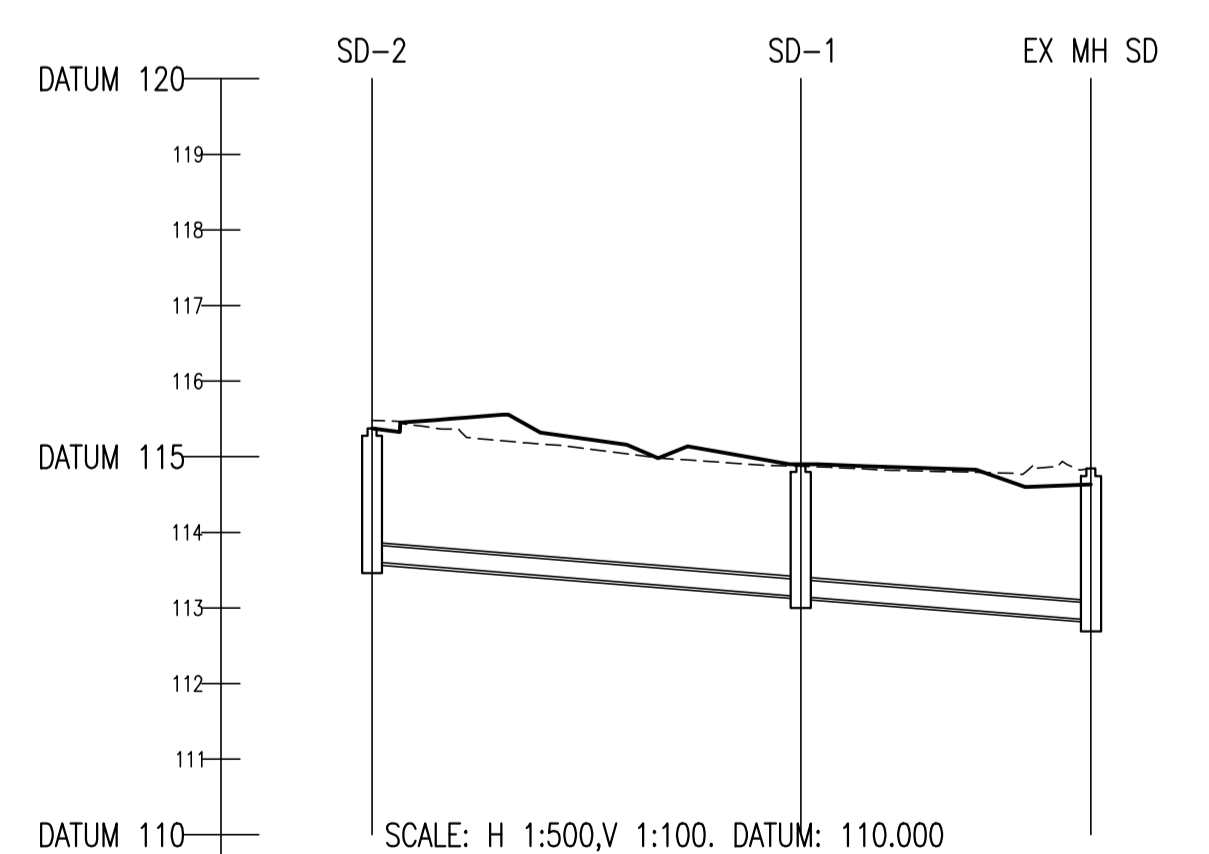
COVER LEVEL	117.462	117.644	118.973
INVERT LEVEL	116.375	115.740	115.470
DEPTH (m)	1.087	1.901	1.503
DISTANCE (m)	18.92	5.00	17.94
PIPE SLOPE	1:30	1:28	1:199
PIPE SIZE	225mm	225mm	225mm



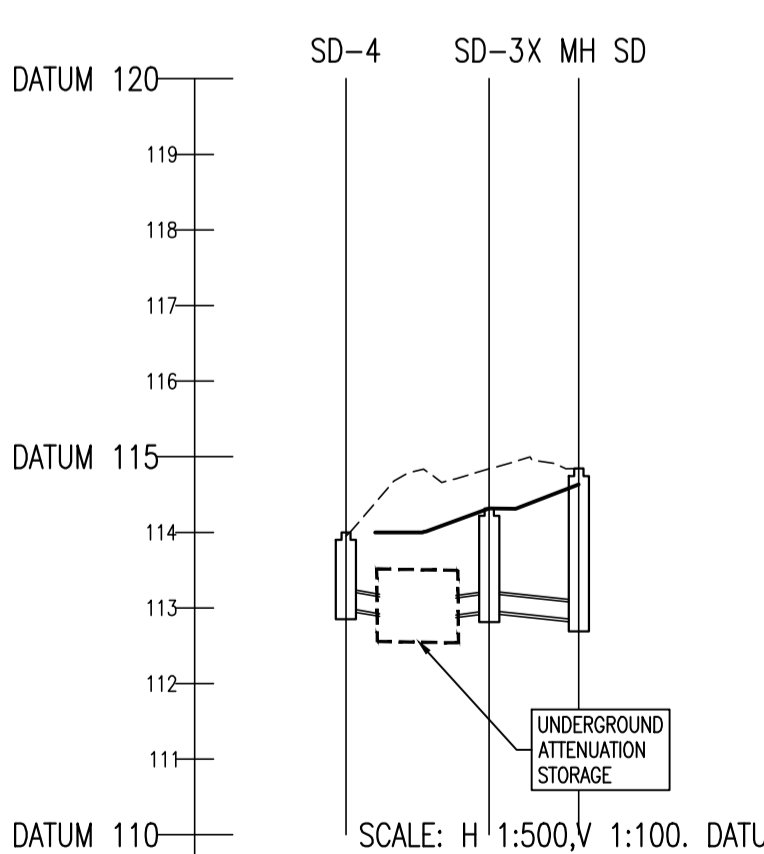
COVER LEVEL	117.172	117.644
INVERT LEVEL	115.800	115.740
DEPTH (m)	1.372	1.901
DISTANCE (m)		
PIPE SLOPE		
PIPE SIZE		



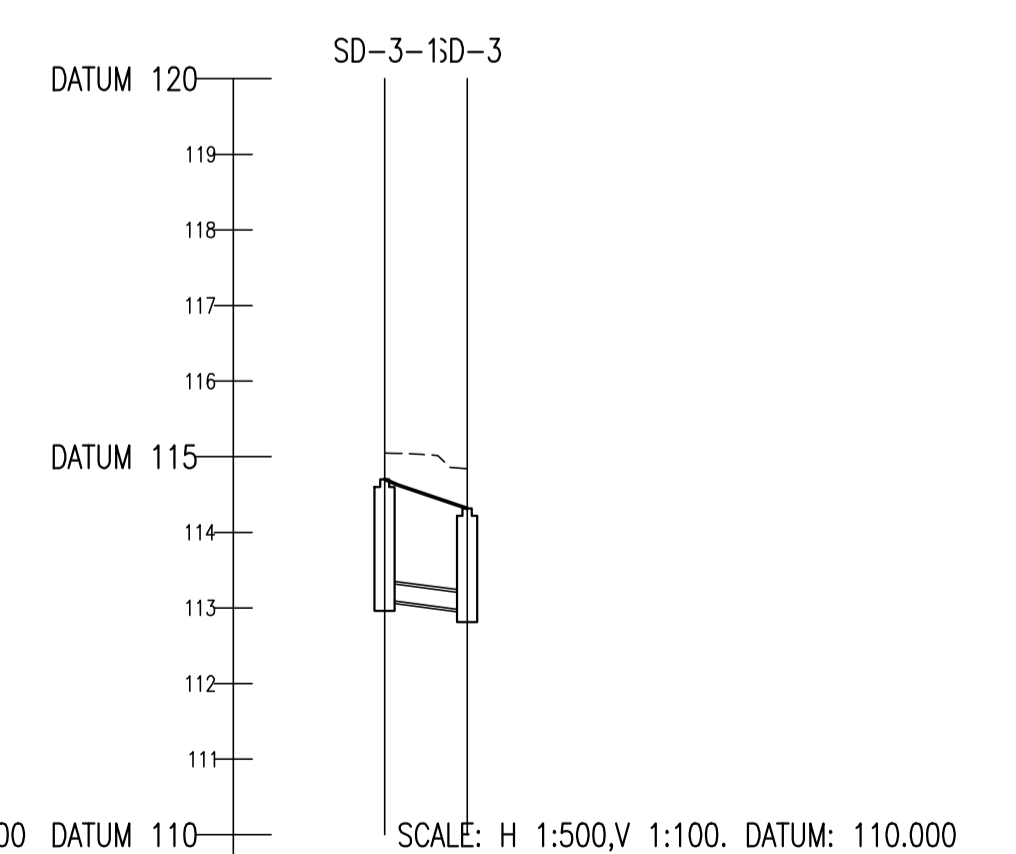
COVER LEVEL	115.130	115.119	115.051	115.270	115.251	115.400	115.000	114.943
INVERT LEVEL	114.210	114.080	113.950	113.860	113.810	113.755	113.713	113.670
DEPTH (m)	0.920	1.039	1.101	1.410	1.440	1.645	1.287	1.273
DISTANCE (m)	13.33	12.95	13.67	7.76	4.19	4.12		
PIPE SLOPE	1:103	1:100	1:152	1:155	1:100	1:96		
PIPE SIZE	225mm	225mm	225mm	225mm	225mm	225mm		



COVER LEVEL	115.376	114.844
INVERT LEVEL	113.610	112.840
DEPTH (m)	1.766	2.004
DISTANCE (m)	28.36	19.19
PIPE SLOPE	1:62	1:62
PIPE SIZE	225mm	225mm



COVER LEVEL	114.000	114.317	114.844
INVERT LEVEL	113.000	112.965	112.840
DEPTH (m)	1.000	1.352	2.004
DISTANCE (m)		5.93	
PIPE SLOPE		1:47	
PIPE SIZE		225mm	



COVER LEVEL	114.701	114.317
INVERT LEVEL	113.110	112.965
DEPTH (m)	1.591	1.352
DISTANCE (m)	5.46	
PIPE SLOPE	1:38	
PIPE SIZE	225mm	

REV	DATE	DESCRIPTION	BY	CHKD
-	06/05/19	FOR ABP PLANNING	JVS	BK

PLANNING

DESIGNED	SPB	PREPARED	JVS
DATE	JULY 2019	CHECKED	BK

DBFL Consulting Engineers
 Dublin Office: Ormond House, Upper Ormond Quay, Dublin 7, Ireland. PHONE: +353 1 400 4000 FAX: +353 1 400 4050
 Waterford Office: Unit 2, The Chandley, 1-2 O'Connell Street, Waterford, Ireland. PHONE: +353 51 338 550 FAX: +353 51 844 913

PROJECT
RESIDENTIAL SITE CITYWEST

DRG. TITLE
LONGITUDINAL SECTIONS THROUGH SURFACE WATER

ARCHITECT
JOHN FLEMING ARCHITECTS