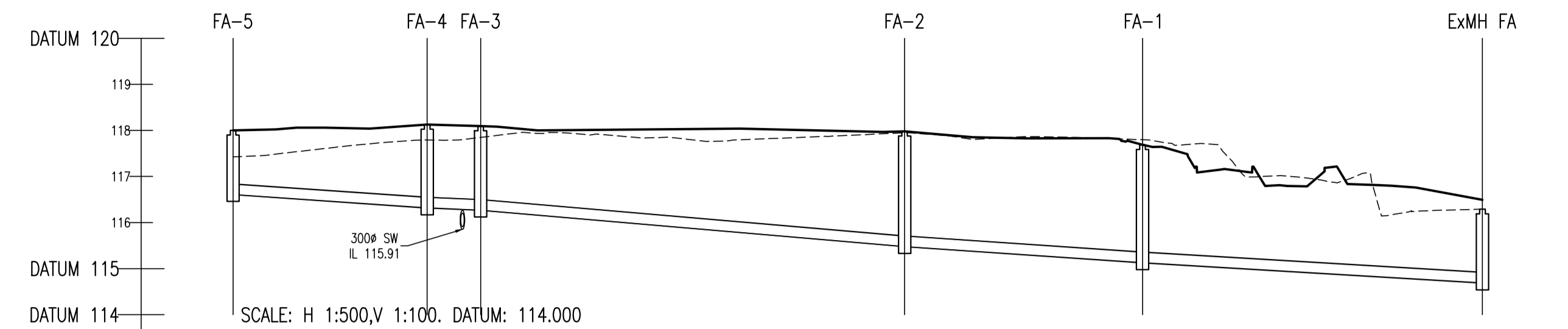
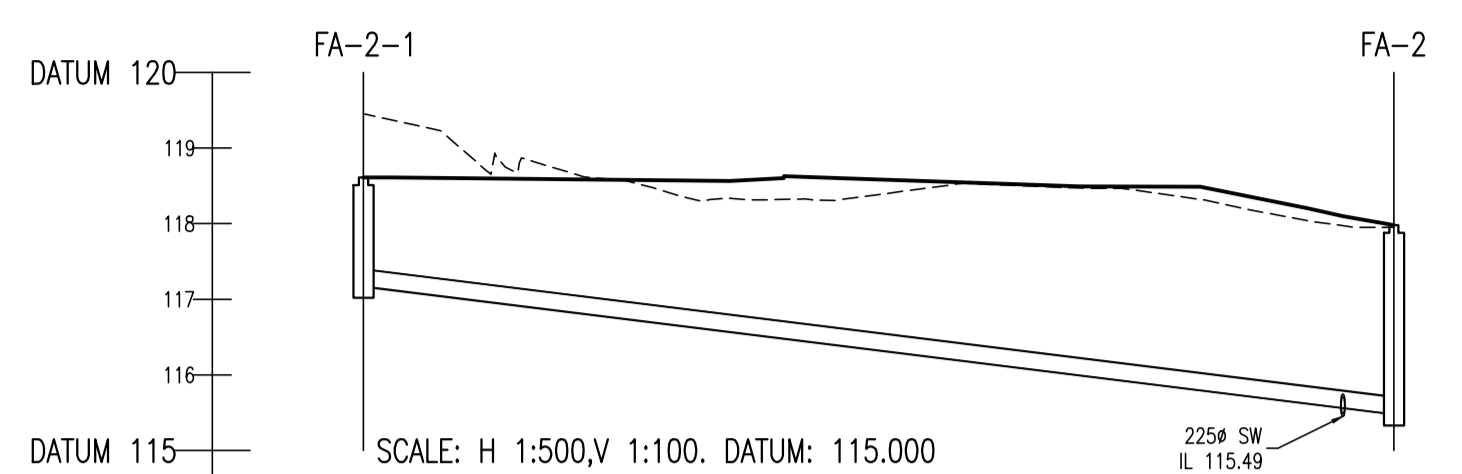


- NOTES:
- ALL DRAWINGS TO BE CHECKED BY CONTRACTOR ON SITE AND ENGINEER INFORMED OF DISCREPANCIES BEFORE WORK COMMENCES
  - ALL LEVELS ARE IN METRES AND ARE RELATED TO ORDNANCE DATUM
  - CONTRACTOR SHALL SATISFY HIMSELF AS TO THE ACCURACY OF PAVEMENT LEVELS ON SITE PRIOR TO COMMENCEMENT OF WORKS ON SITE
  - ALL WORKS TO BE CONSTRUCTED IN ACCORDANCE WITH THE NRA SPECIFICATION FOR ROAD WORKS UNLESS NOTED OTHERWISE
  - THIS DRAWING IS FOR PLANNING PURPOSES ONLY
  - MANHOLE COVER LEVELS ARE TO CONFORM WITH FINISHED ROAD AND PATH LEVELS
  - WHERE COVER TO PIPE IS LESS THAN 1200mm (ROAD/PATH/VERGE) OR 900mm (OPEN SPACE) SURROUND PIPE IN MINIMUM 150mm CONCRETE

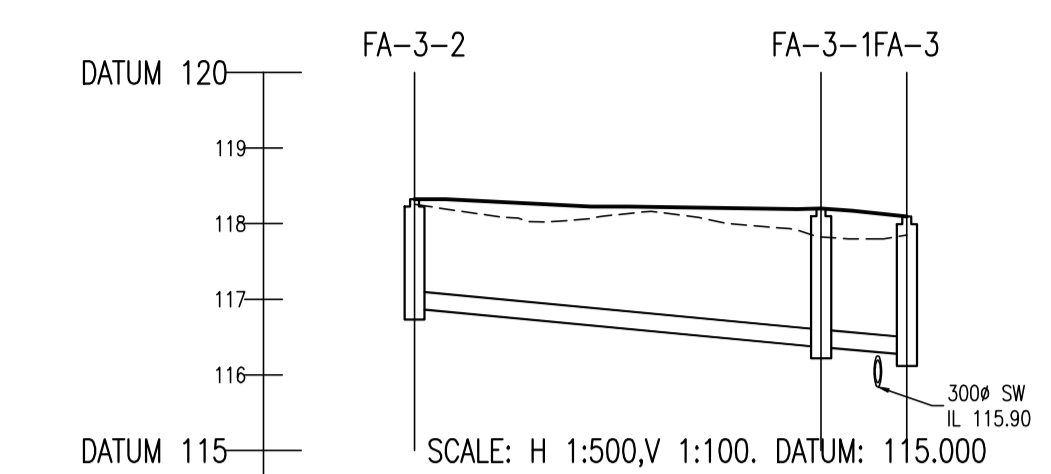
KEY  
 - - - - - EXISTING GROUND PROFILE  
 \_\_\_\_\_ PROPOSED GROUND PROFILE



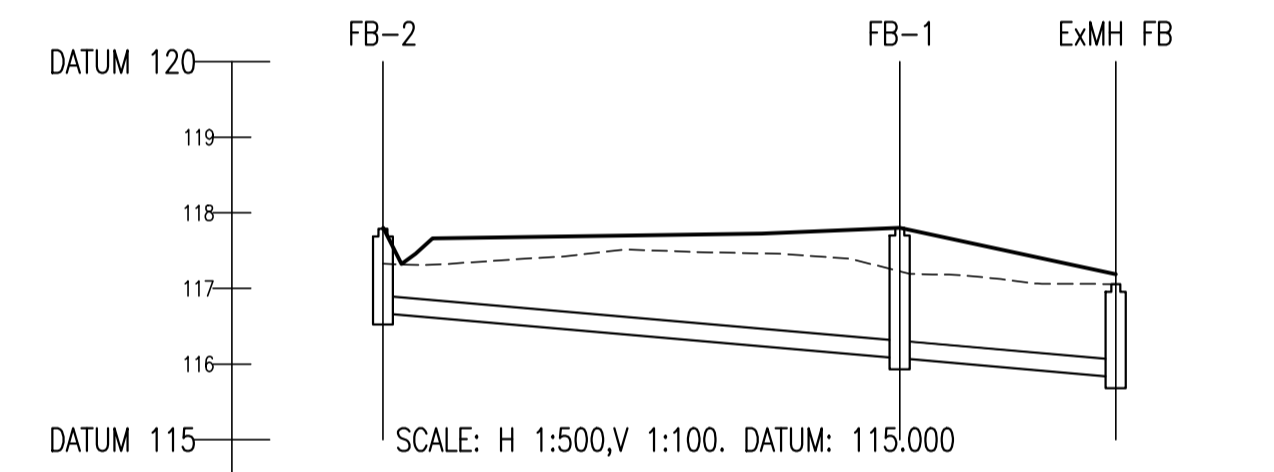
COVER LEVEL	116.000	118.128	118.094	115.480	117.980	115.130	117.687	114.690	116.291
INVERT LEVEL	116.010	116.320	116.370	116.370	115.480	115.130	117.687	114.690	116.291
DEPTH (m)	1.390	1.808	1.824	2.500	2.557	1.601			
DISTANCE (m)		21.09	5.81	46.07	25.85	36.93			
PIPE SLOPE		1:73	1:116	1:58	1:74	1:84			
PIPE SIZE		225mm	225mm	225mm	225mm	225mm			



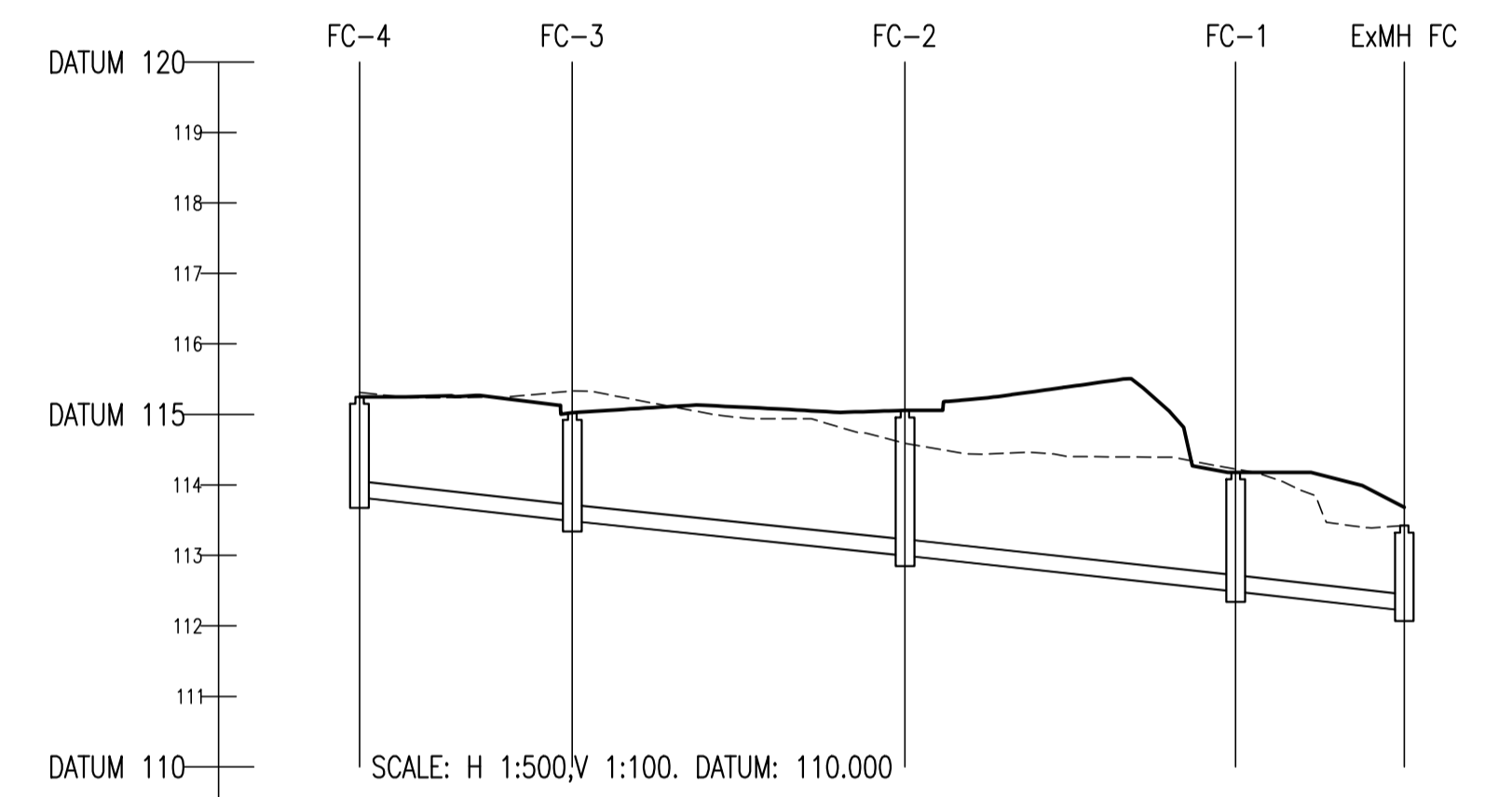
COVER LEVEL	118.610	117.980
INVERT LEVEL	117.170	115.480
DEPTH (m)	1.440	2.500
DISTANCE (m)	68.15	
PIPE SLOPE	1:40	
PIPE SIZE	225mm	



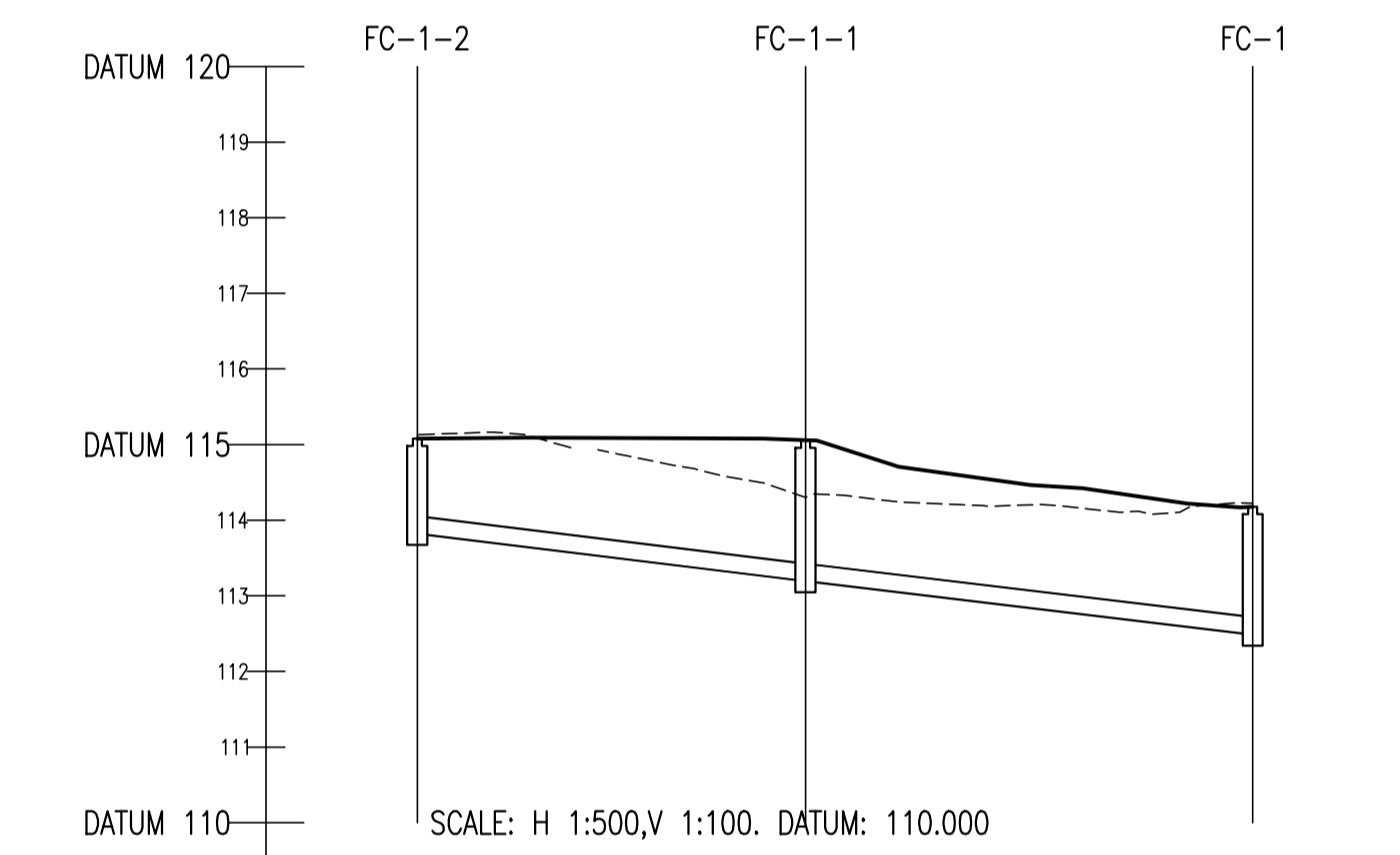
COVER LEVEL	118.324	118.201	116.094
INVERT LEVEL	116.880	116.370	116.270
DEPTH (m)	1.444	1.831	1.824
DISTANCE (m)		26.89	5.67
PIPE SLOPE		1:53	1:57
PIPE SIZE		225mm	225mm



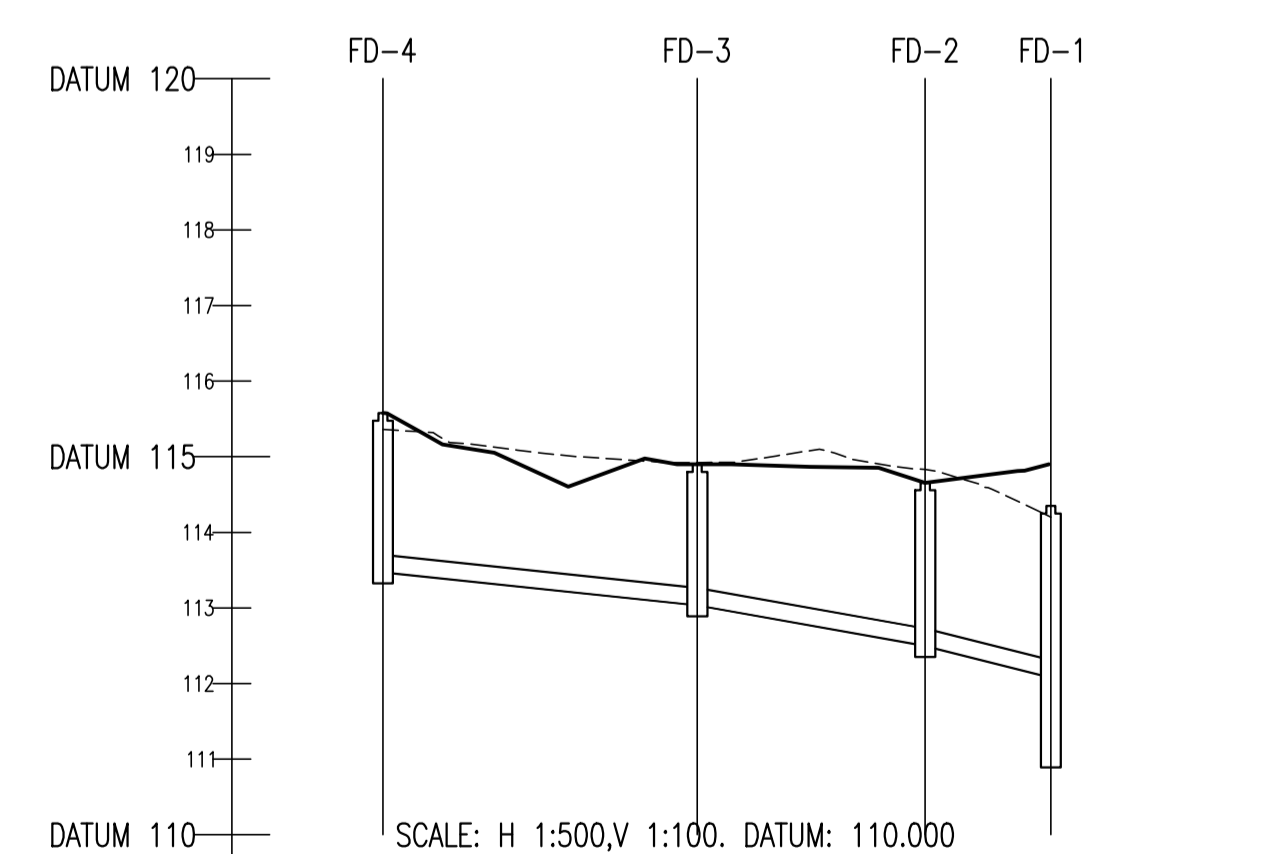
COVER LEVEL	117.289	117.980	117.055
INVERT LEVEL	116.675	116.090	116.330
DEPTH (m)	1.114	1.720	1.225
DISTANCE (m)		34.18	14.28
PIPE SLOPE		1:57	1:57
PIPE SIZE		225mm	225mm



COVER LEVEL	115.260	115.024	113.000	115.057	112.490	114.179	112.220	113.424
INVERT LEVEL	113.825	113.490	113.000	113.057	112.490	114.179	112.220	113.424
DEPTH (m)	1.425	1.534	2.027	1.689	1.689	1.144	1.204	
DISTANCE (m)		15.11	23.61	23.48	11.97			
PIPE SLOPE		1:45	1:48	1:46	1:44			
PIPE SIZE		225mm	225mm	225mm	225mm			



COVER LEVEL	115.080	115.057	114.179
INVERT LEVEL	113.825	113.197	112.490
DEPTH (m)	1.255	1.860	1.689
DISTANCE (m)		25.68	29.57
PIPE SLOPE		1:41	1:42
PIPE SIZE		225mm	225mm



COVER LEVEL	115.576	114.900	114.656	114.348
INVERT LEVEL	113.475	113.037	112.500	112.080
DEPTH (m)	2.101	1.863	2.156	2.308
DISTANCE (m)		20.79	15.08	8.31
PIPE SLOPE		1:47	1:28	1:20
PIPE SIZE		225mm	225mm	225mm

REV	DATE	DESCRIPTION	BY	CHKD
-	06/05/19	FOR ABP PLANNING	JVS	BK

**PLANNING**

DESIGNED	SPB	PREPARED	JVS
DATE	JULY 2019	CHECKED	BK

DBFL Consulting Engineers  
 Dublin Office: Ormond House, Upper Ormond Quay, Dublin 7, Ireland. PHONE: +353 1 400 4000 FAX: +353 1 400 4050  
 Waterford Office: Unit 2, The Chandlery, 1-2 O'Connell Street, Waterford, Ireland. PHONE: +353 51 308 500 FAX: +353 51 844 913

PROJECT  
**RESIDENTIAL SITE CITYWEST**

DRG. TITLE  
**LONGITUDINAL SECTIONS THROUGH FOUL SEWER**

ARCHITECT  
**JOHN FLEMING ARCHITECTS**

SCALE	AS SHOWN @A1	FILE REF.	180078-3020
DRG. NO.	180078-3020		-