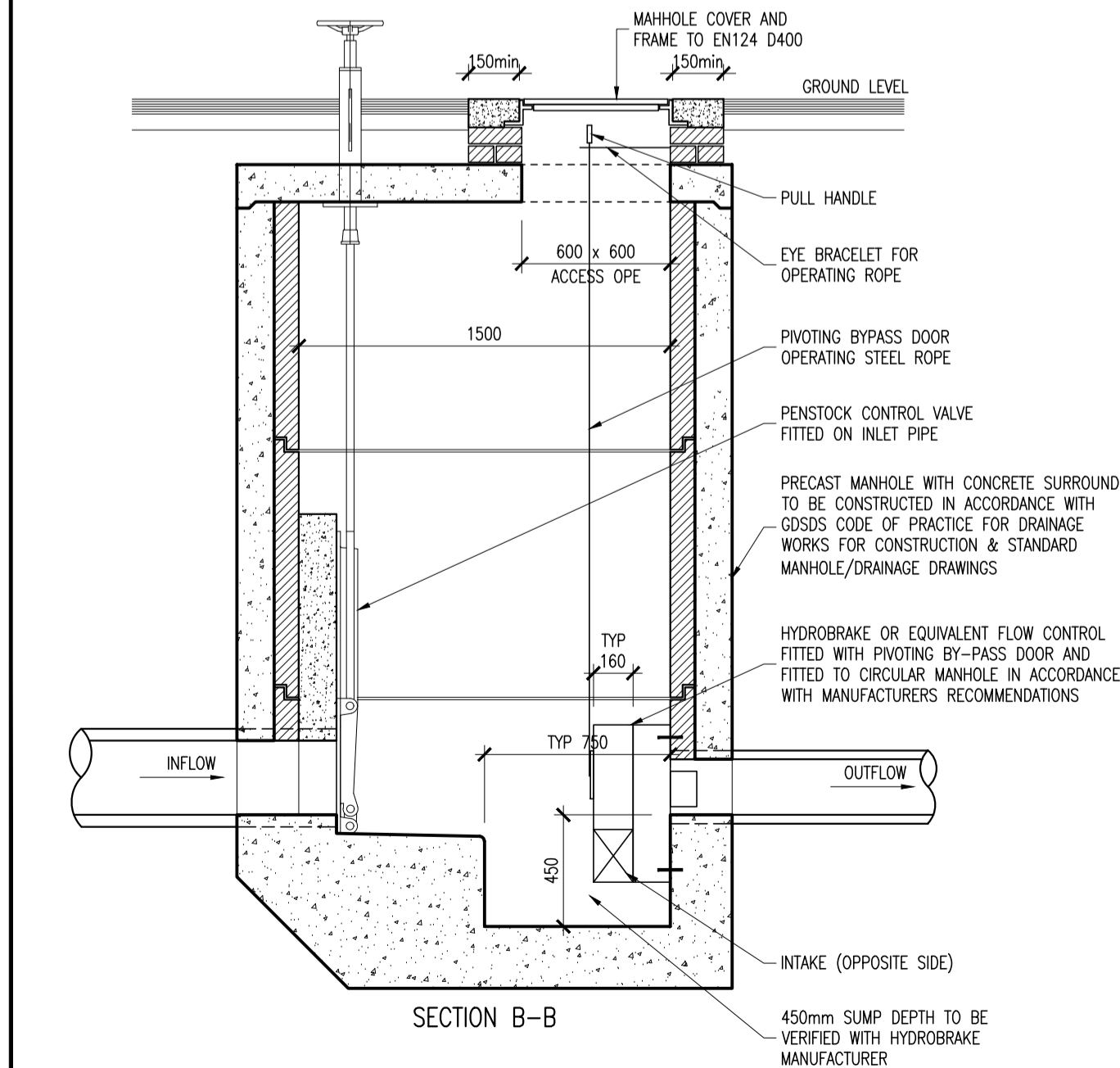
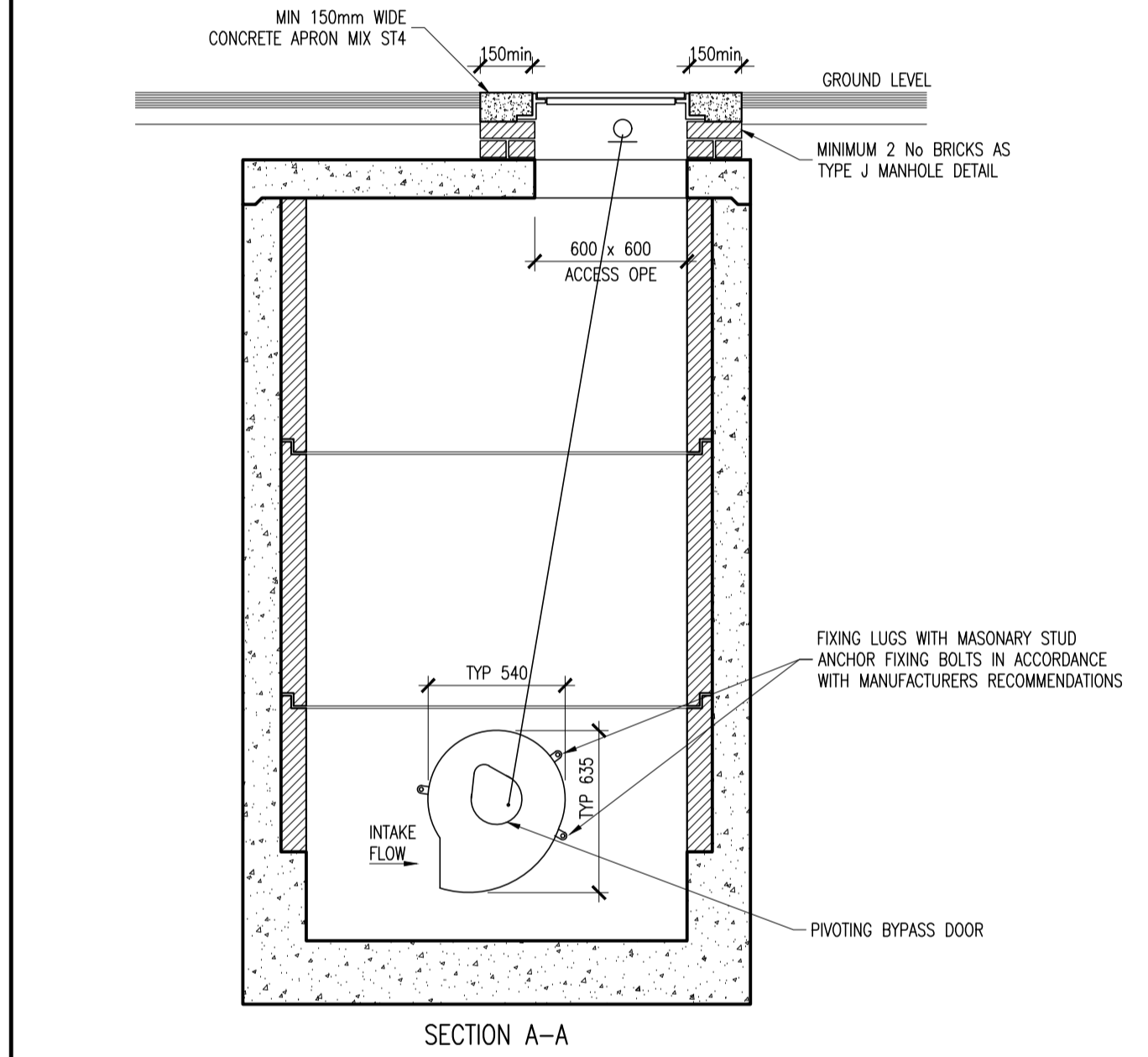
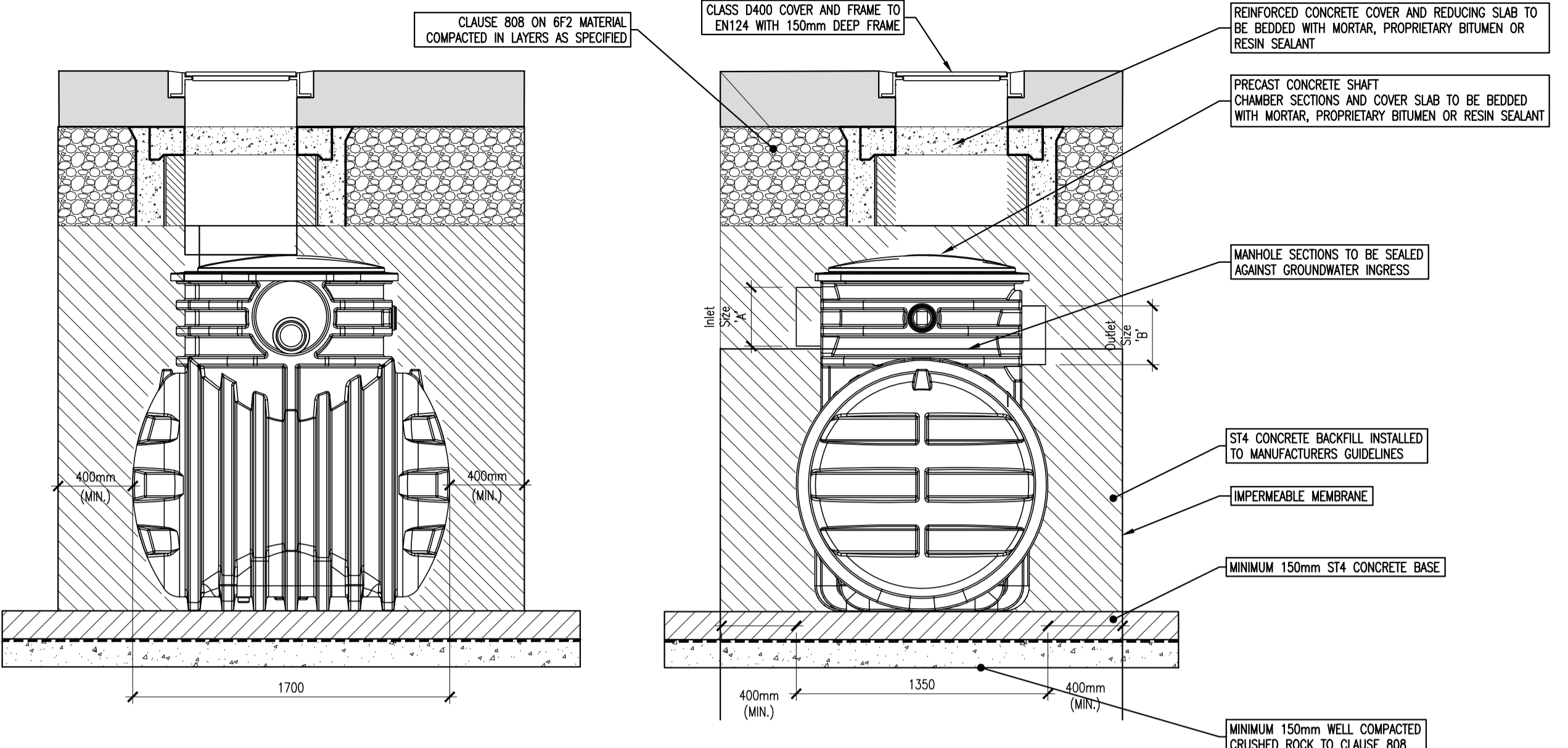
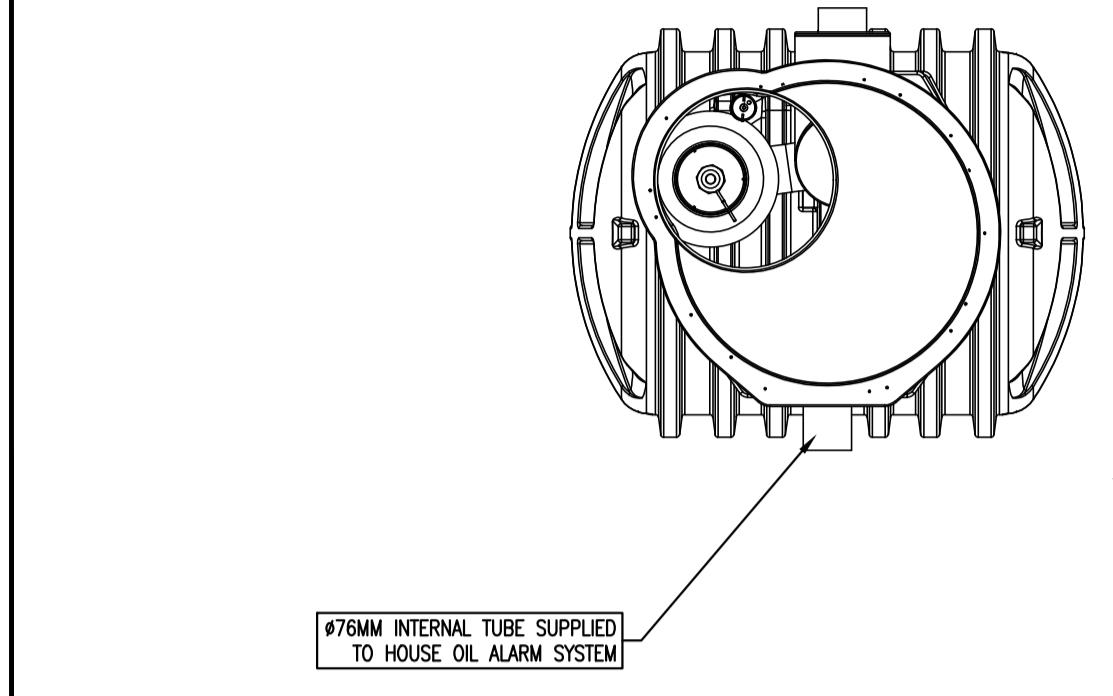


DIMENSIONS

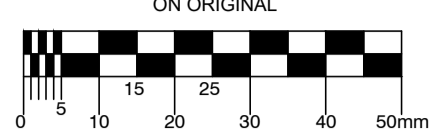
UNIT REF No.	NOMINAL FLOW	STD. PIPE Ø	APPROX. EMPTY WEIGHT (KG)	FALL ACROSS UNIT	INLET SIZE 'A'	INLET SIZE 'B'
NSFP003	3 L/S	160	180	100	225	225



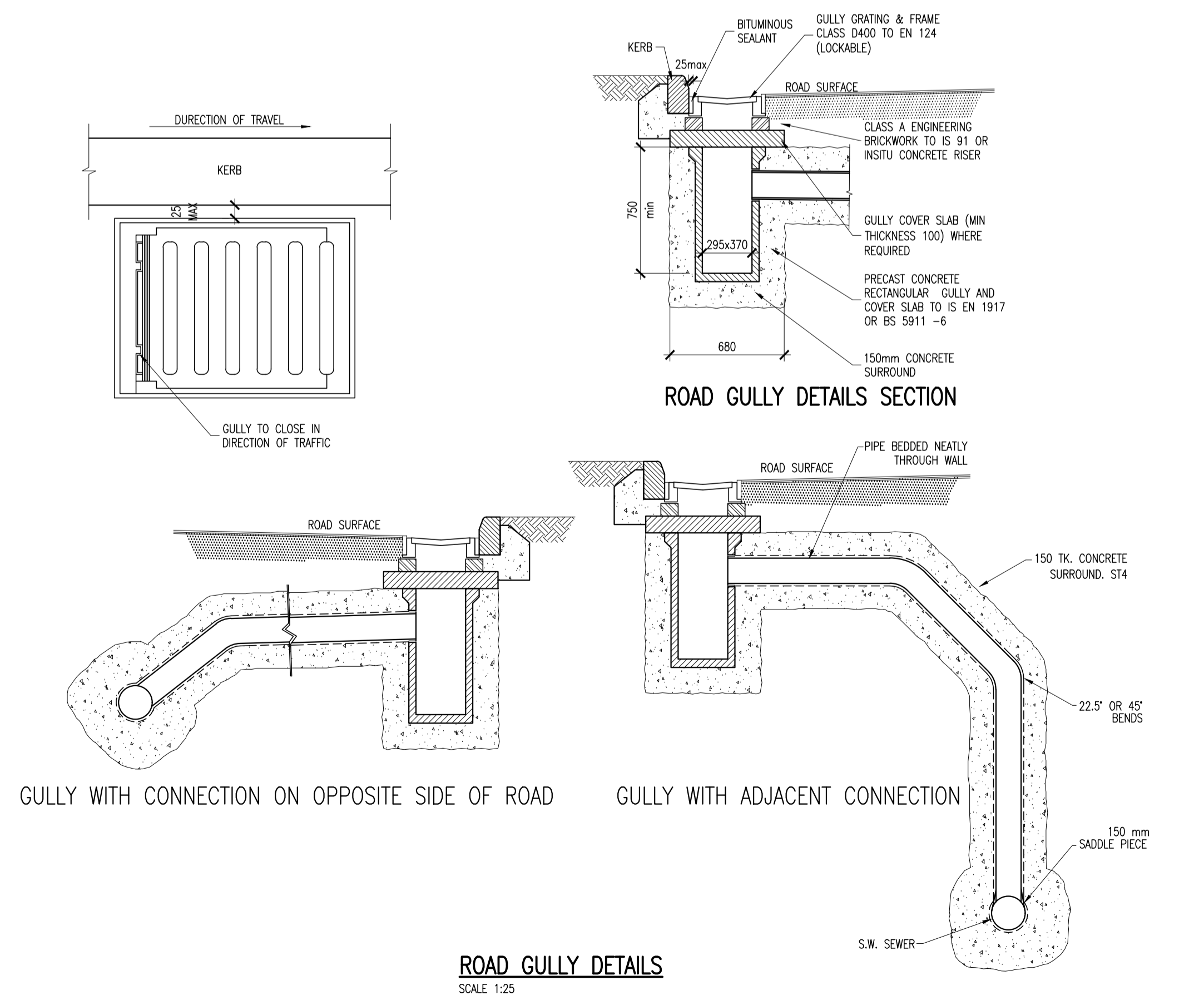
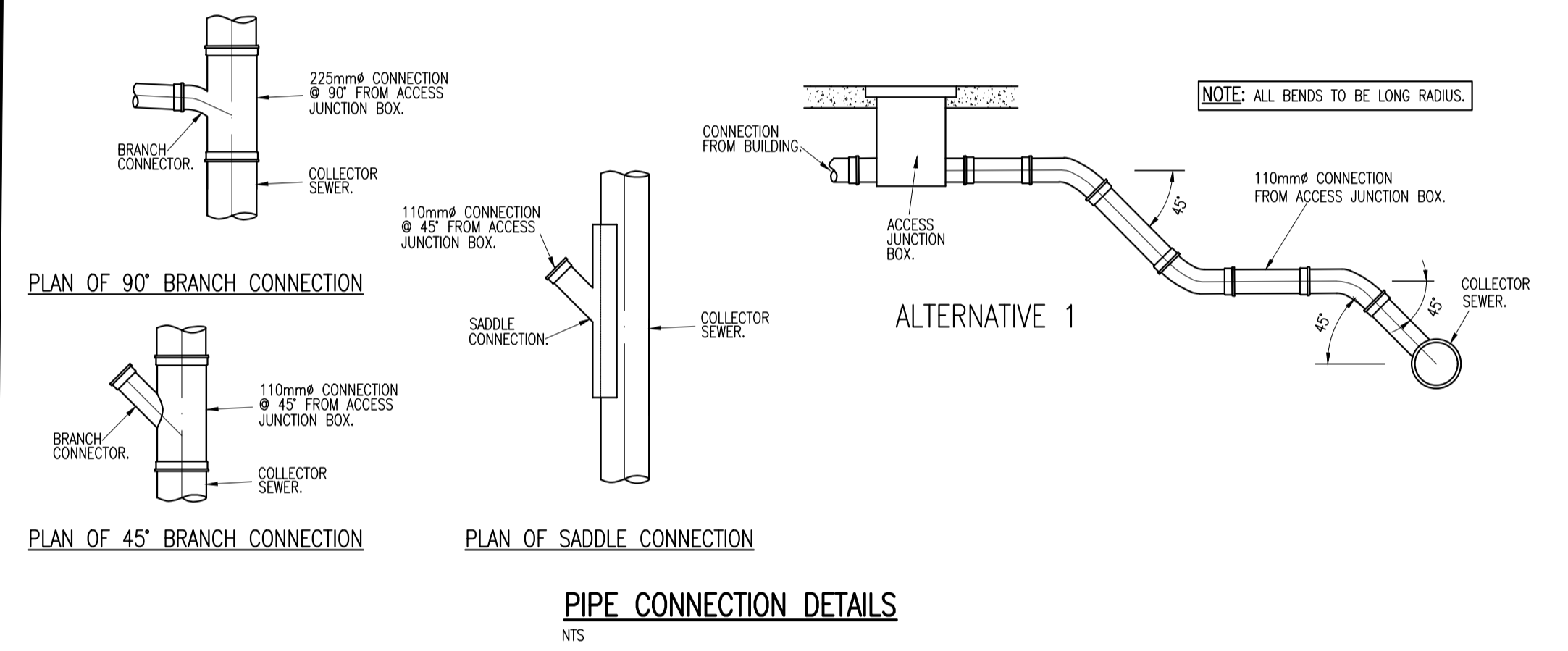
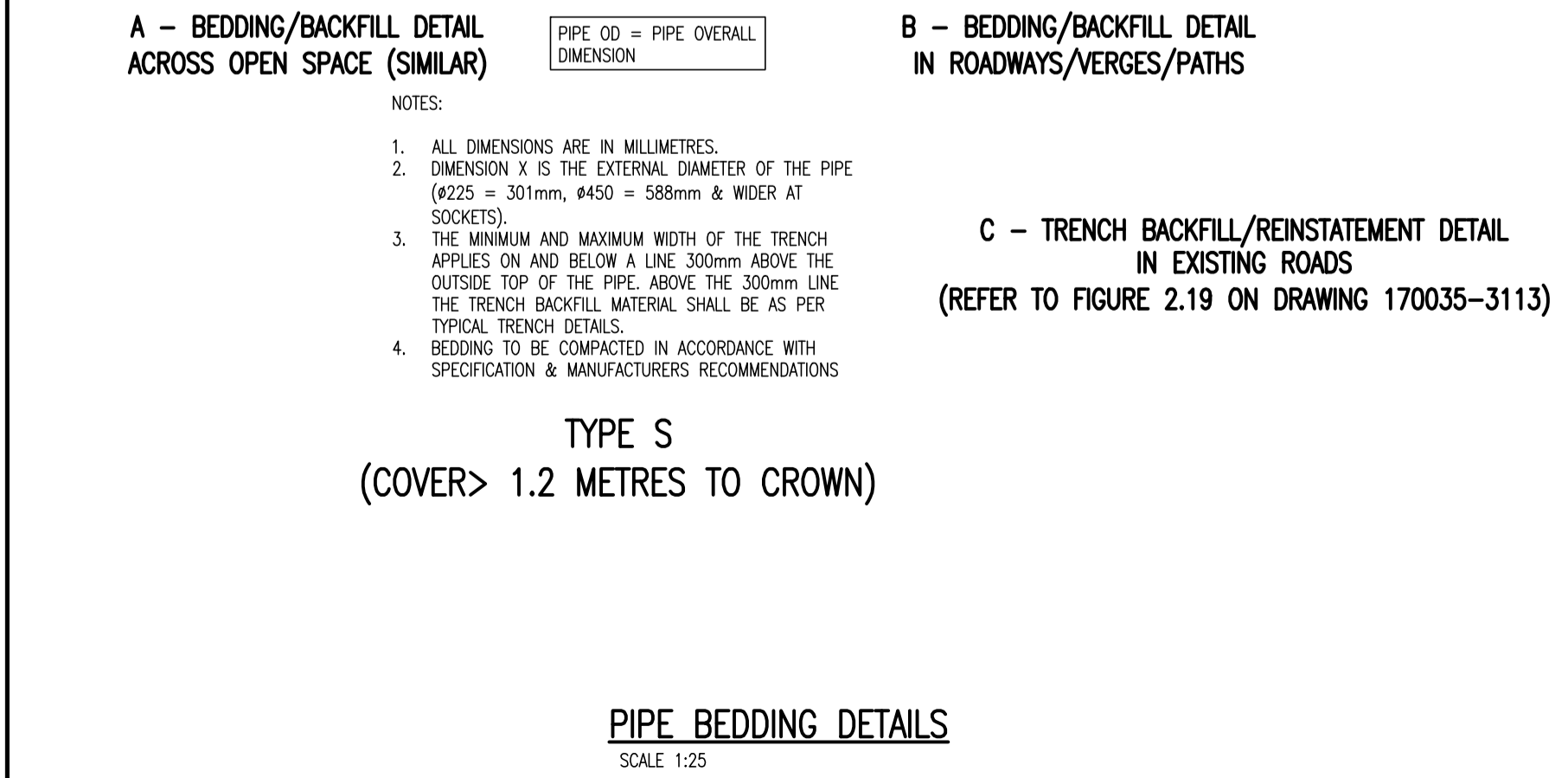
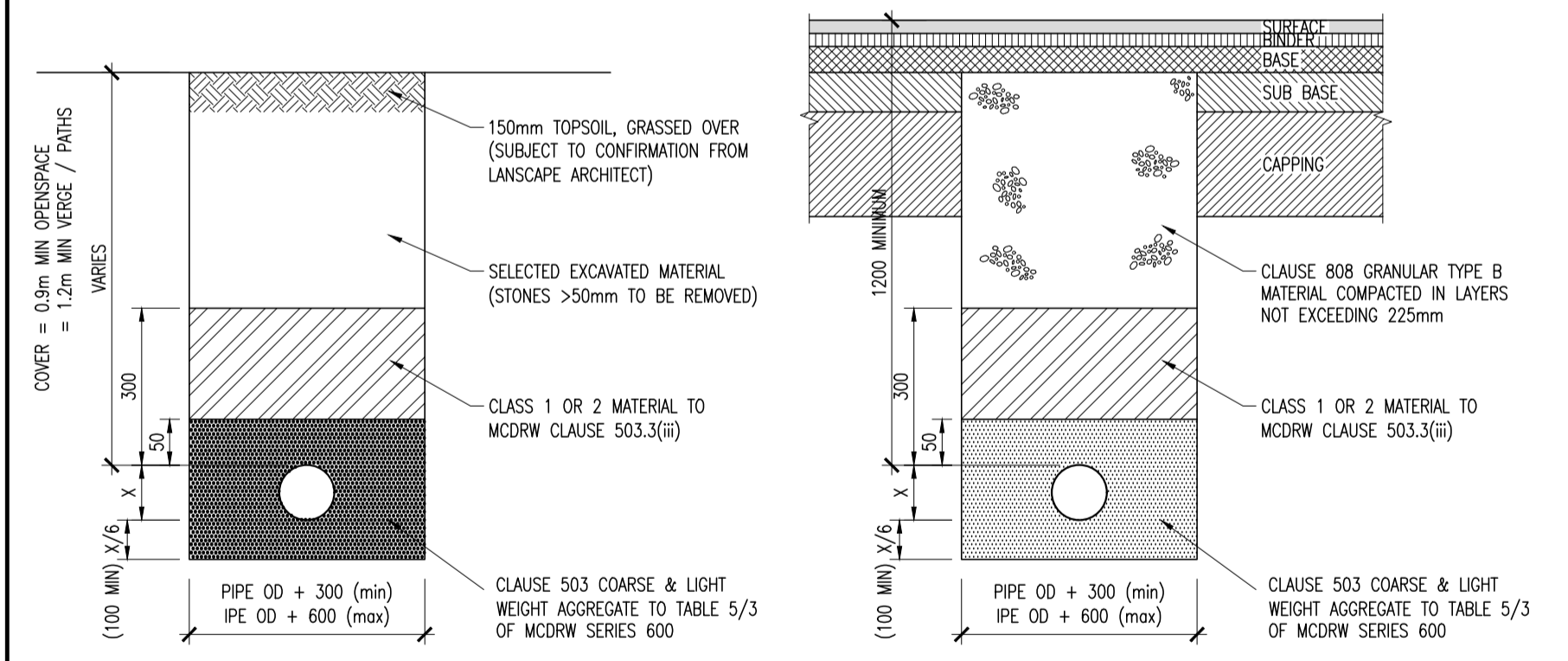
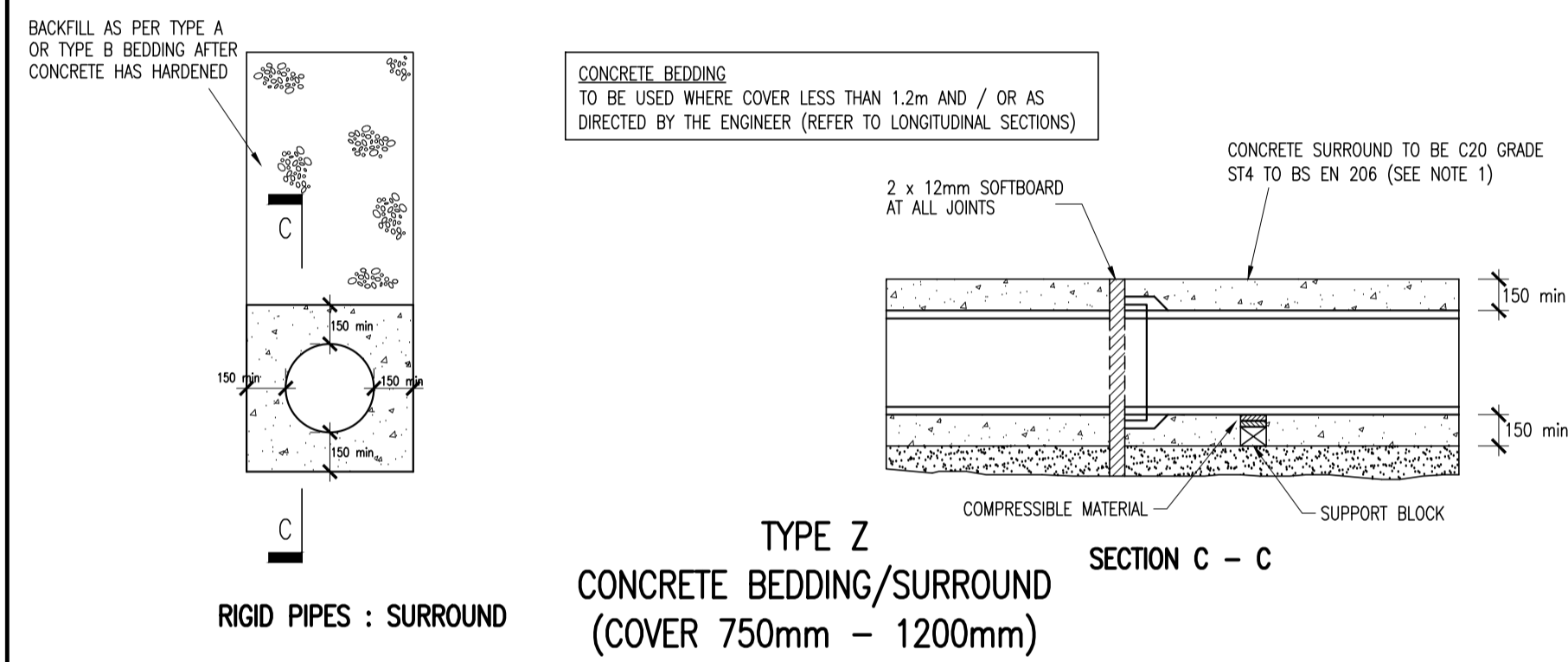
FLOW CONTROL MANHOLE DETAIL
SCALE 1:25



© COPYRIGHT OF THIS DRAWING IS RESERVED BY DBFL CONSULTING ENGINEERS. NO PART SHALL BE REPRODUCED OR TRANSMITTED WITHOUT THEIR WRITTEN PERMISSION.



- NOTES:
- WHERE ROCKS OR OTHER HARD TRENCH BOTTOM IS ENCOUNTERED, THE FIGURE DENOTED BY * IS TO BE DOUBLED.
 - TYPE 1 GRANULAR MATERIAL: BROKEN STONE OR GRAVEL TO PASS 10mm SIEVE AND BE RETAINED ON 5mm SIEVE.
 - TYPE 2 GRANULAR MATERIAL: BROKEN STONE OR GRAVEL TO PASS 10mm - 25mm SIEVE, ACCORDING TO PIPE SIZE, (SEE TABLE) AND BE RETAINED ON 5mm SIEVE.
 - CLAUSE 601 S.R.W. BACKFILL: UNIFORM READILY COMPACTED MATERIAL FREE FROM TREE ROOTS, VEGETABLE MATTER, BUILDING DEBRIS, AND FROZEN SOIL AND EXCLUDING CLAY LUMPS RETAINED ON A 75mm SIEVE AND STONES RETAINED ON A 37.5mm SIEVE.
 - RIGID PIPES SHALL MEAN CAST OR SPUN IRON, CONCRETE OR CLAY.
 - GULLY GRATINGS AND FRAMES SHALL COMPLY WITH THE REQUIREMENTS OF I.S./E.N./124 1994. GULLIES SHALL BE CLASS D400.
 - GULLY WALLS SHALL BE CONSTRUCTED IN CLASS 30N/mm² PRECAST OR INSITU CONCRETE OR ALTERNATIVELY IN SOLID CONCRETE BLOCKS DESIGNATED S10, STRENGTH 10N/mm²
 - ALL PIPES TO BE BEDDED IN ACCORDANCE WITH MANUFACTURERS RECOMMENDATIONS
 - SURFACE WATER SEWERS TO BE CLASS H CONCRETE TO IS EN1917 AND IS 6 2004.



REV.	DATE	DESCRIPTION	BY	CHKD.
-	06/09/19	FOR ABP APPLICATION	JVS	BK
PLANNING				
DESIGNED	SPB	PREPARED	JVS	
DATE	APRIL 2019	CHECKED	BK	

DBFL Consulting Engineers

DBFL Office Ormond House, Upper Ormond Quay, Dublin 7, Ireland. PHONE +353 1 400 4000 FAX +353 1 400 4050

WATERFORD OFFICE Unit 2, The Chandlery, 1-2 O'Connell Street, Waterford, Ireland. PHONE +353 51 389 550 FAX +353 51 844 913

PROJECT
RESIDENTIAL SITE CITYWEST

DRG. TITLE
TYPICAL DRAINAGE CONSTRUCTION DETAILS SHEET 2

ARCHITECT
JOHN FLEMING ARCHITECTS

SCALE	AS SHOWN @A1	FILE REF.	180078-3012
DRG. NO.	180078-3012		