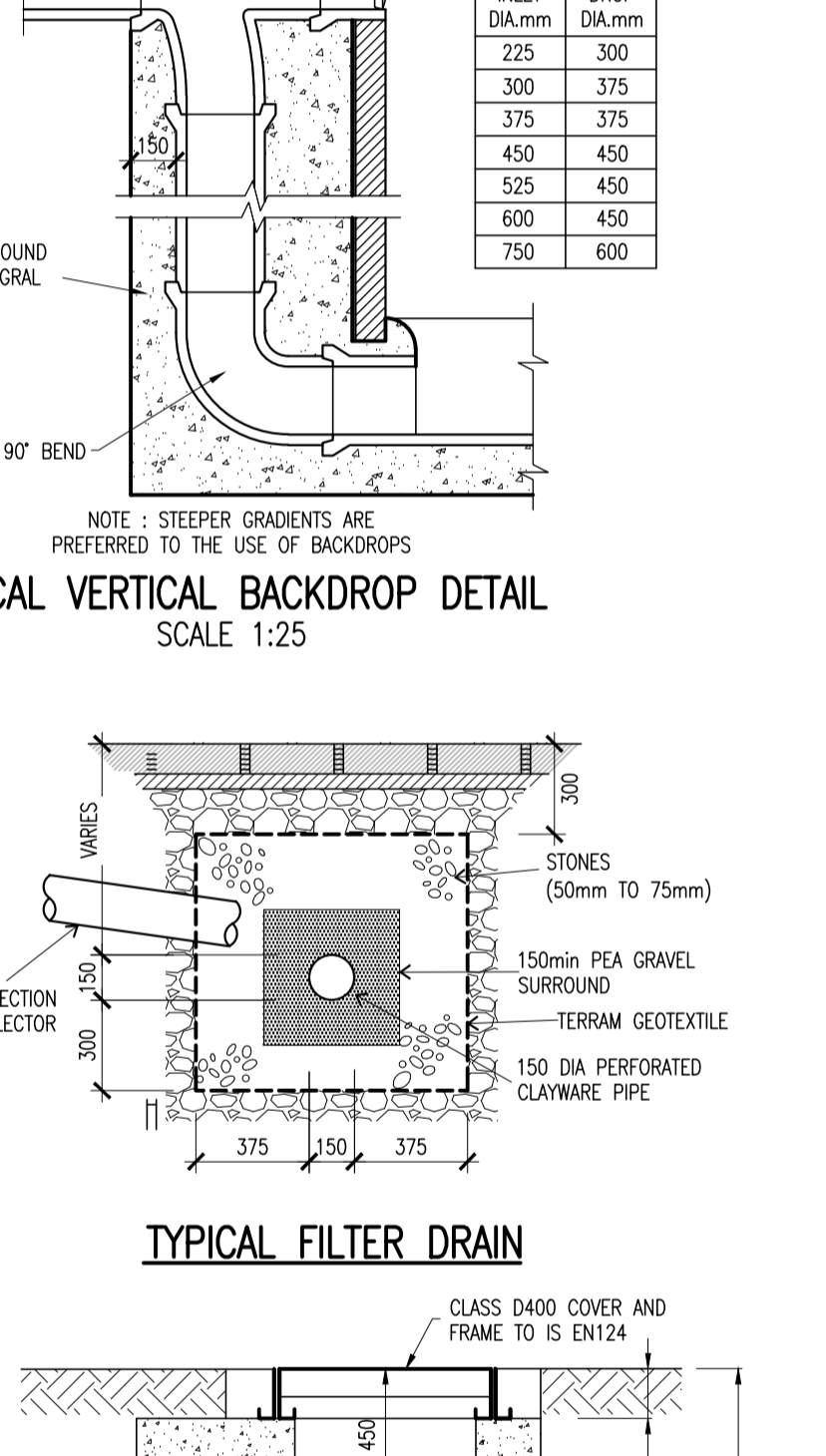
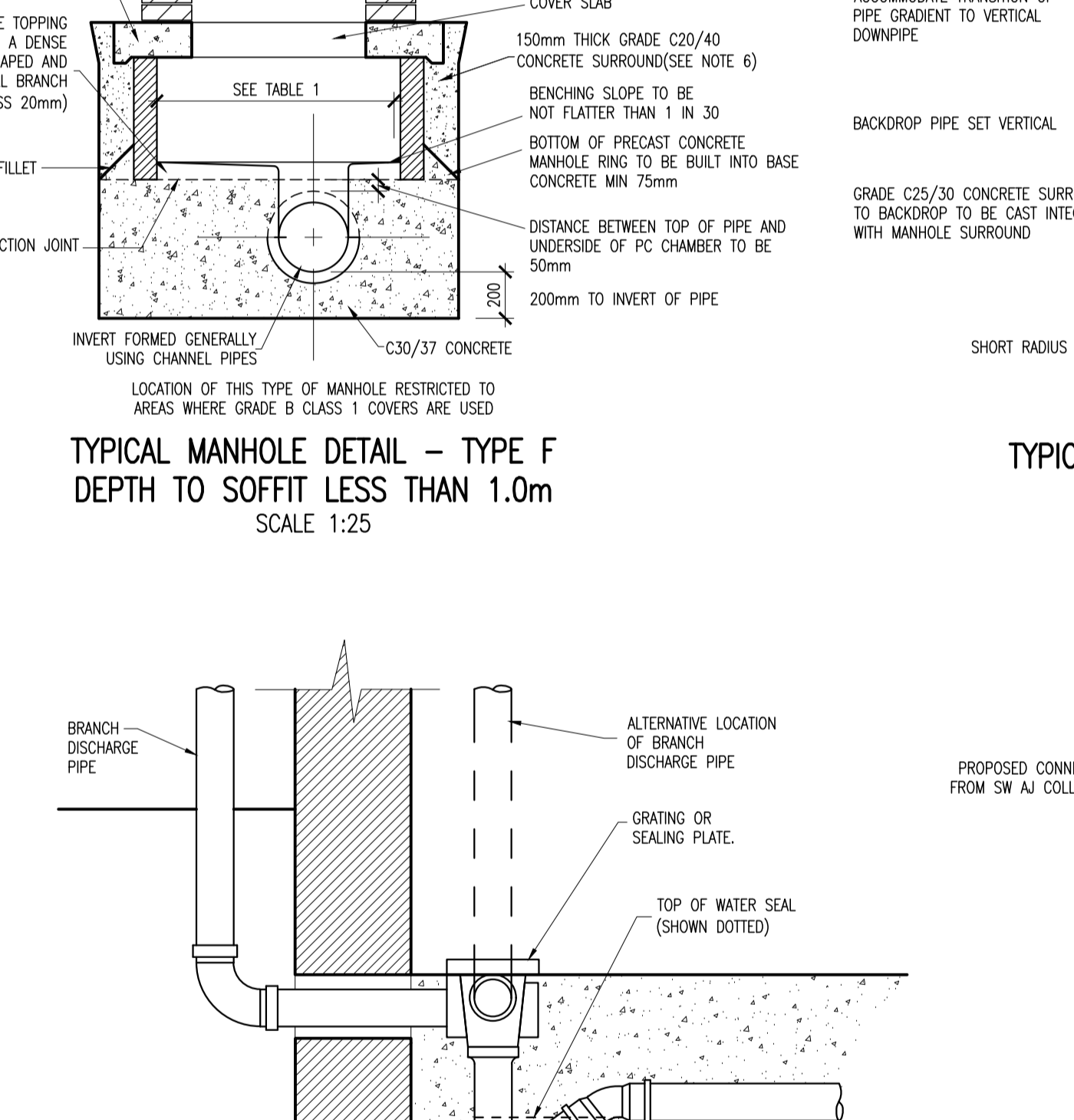
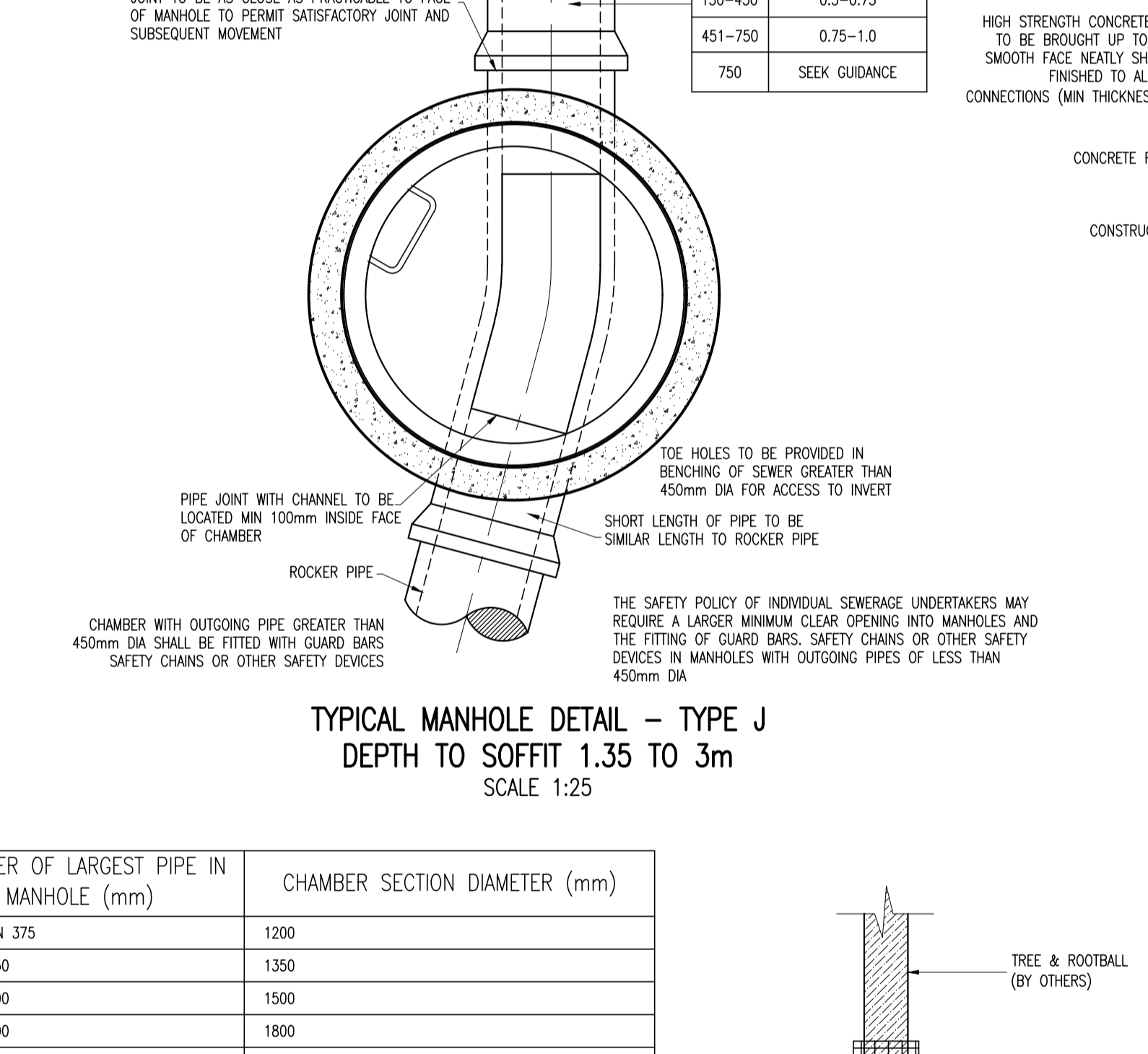
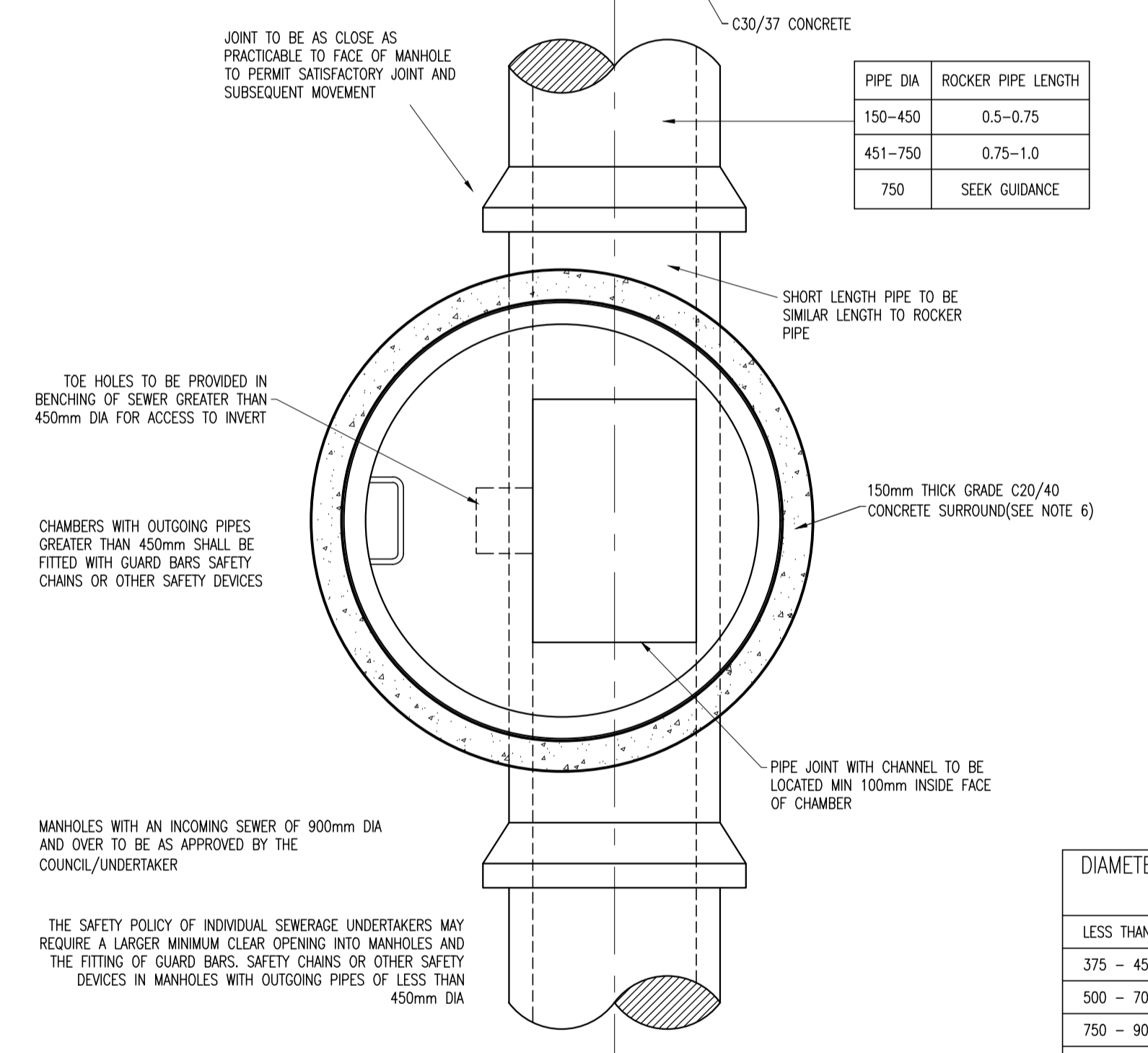
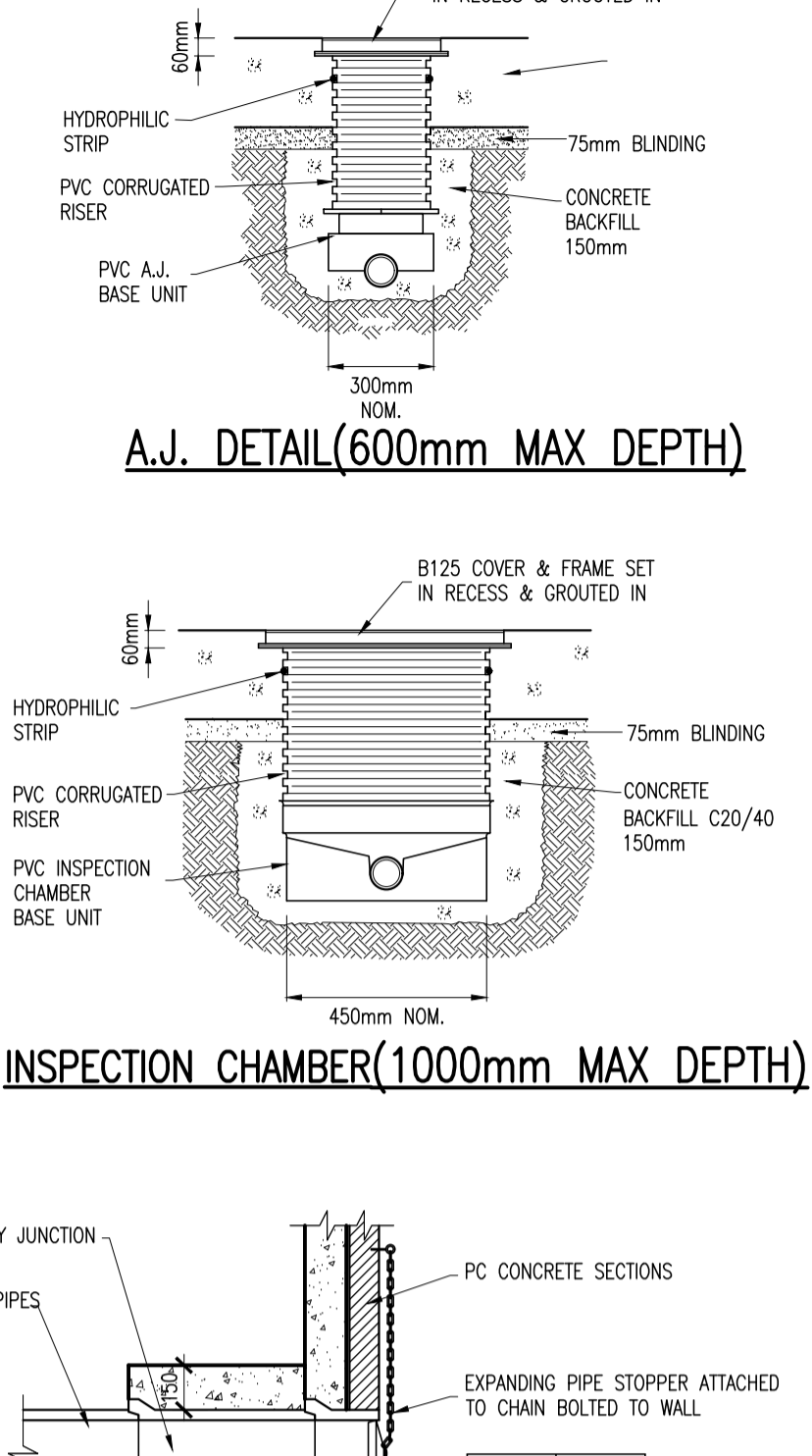
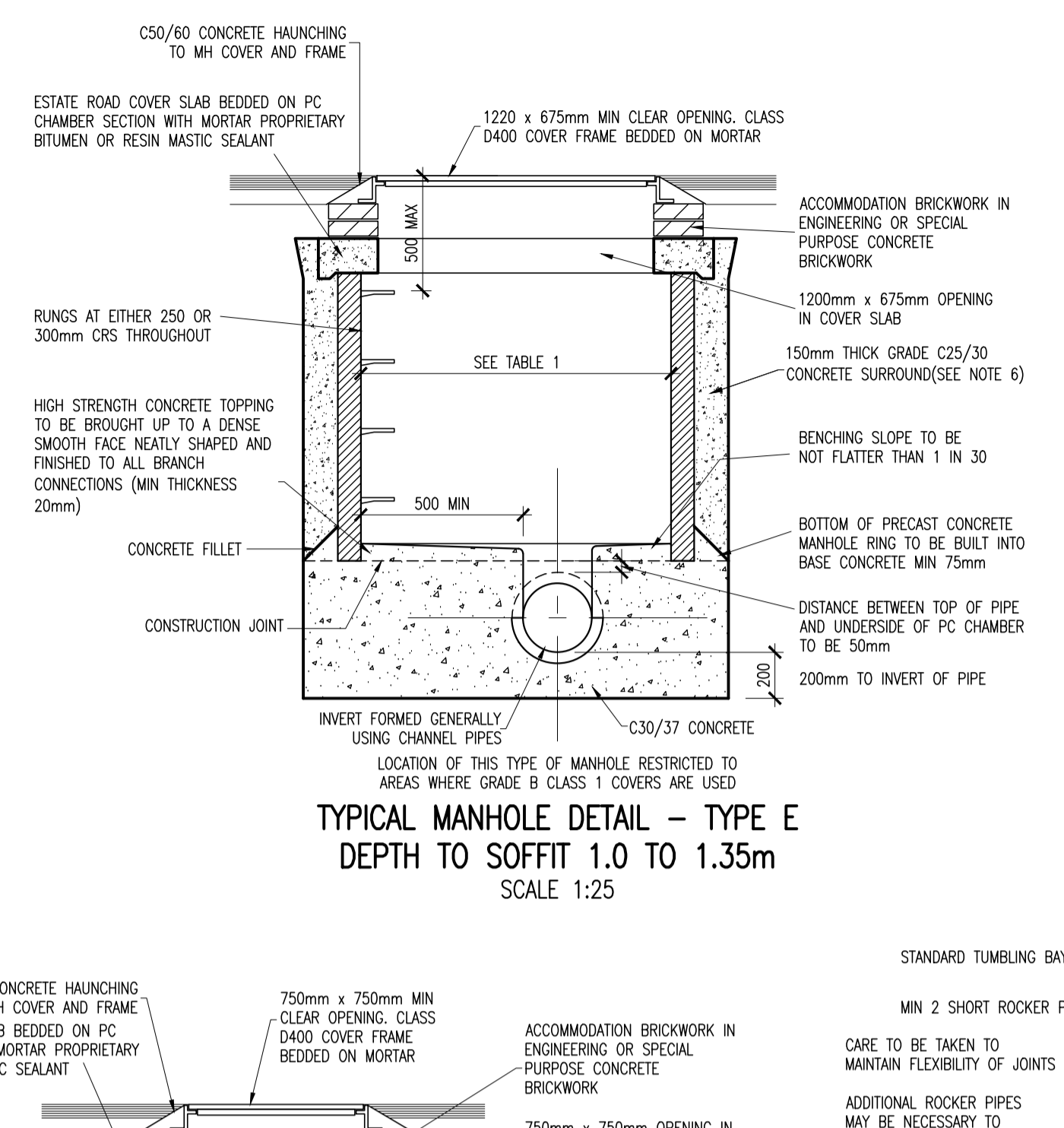
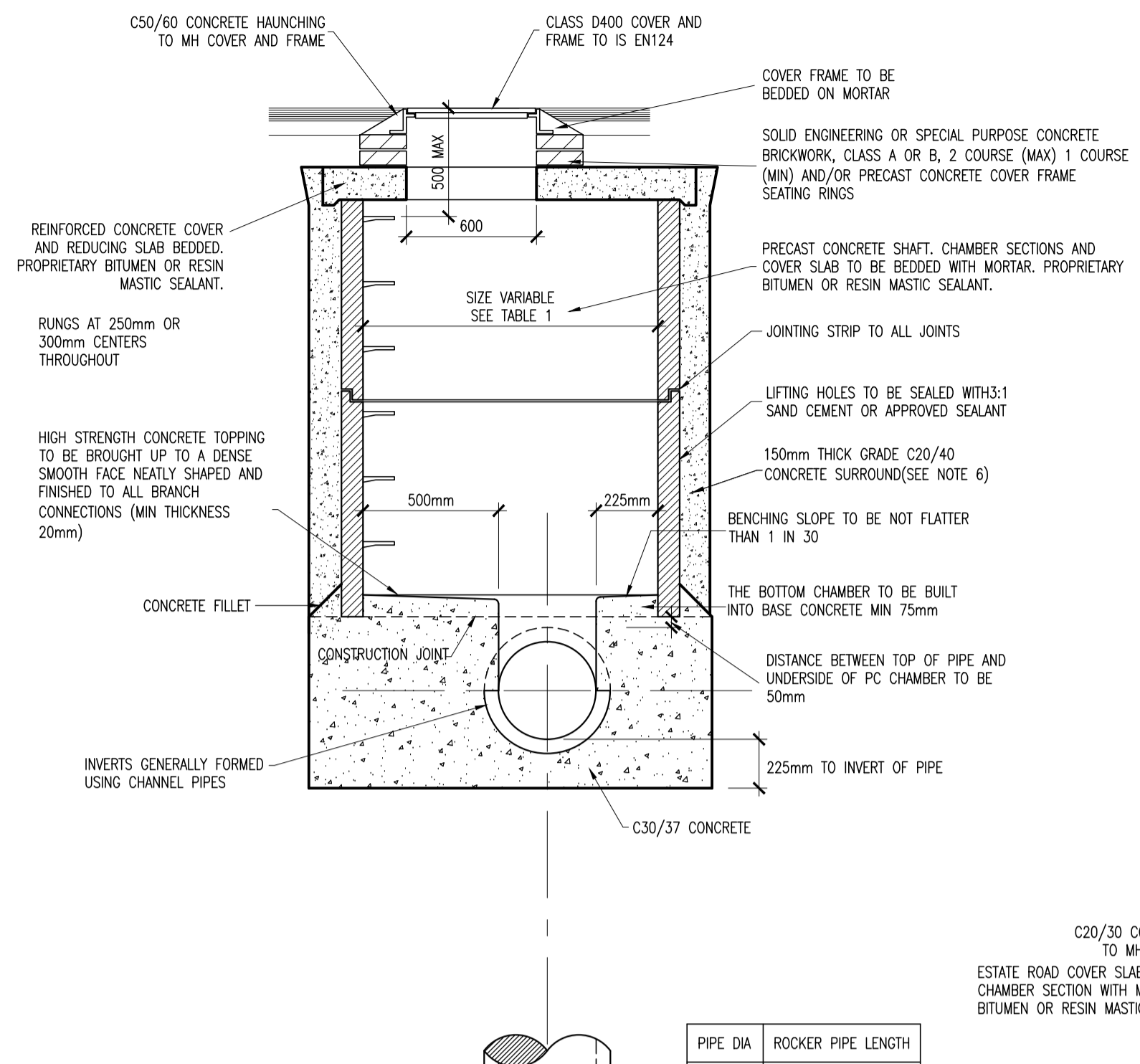
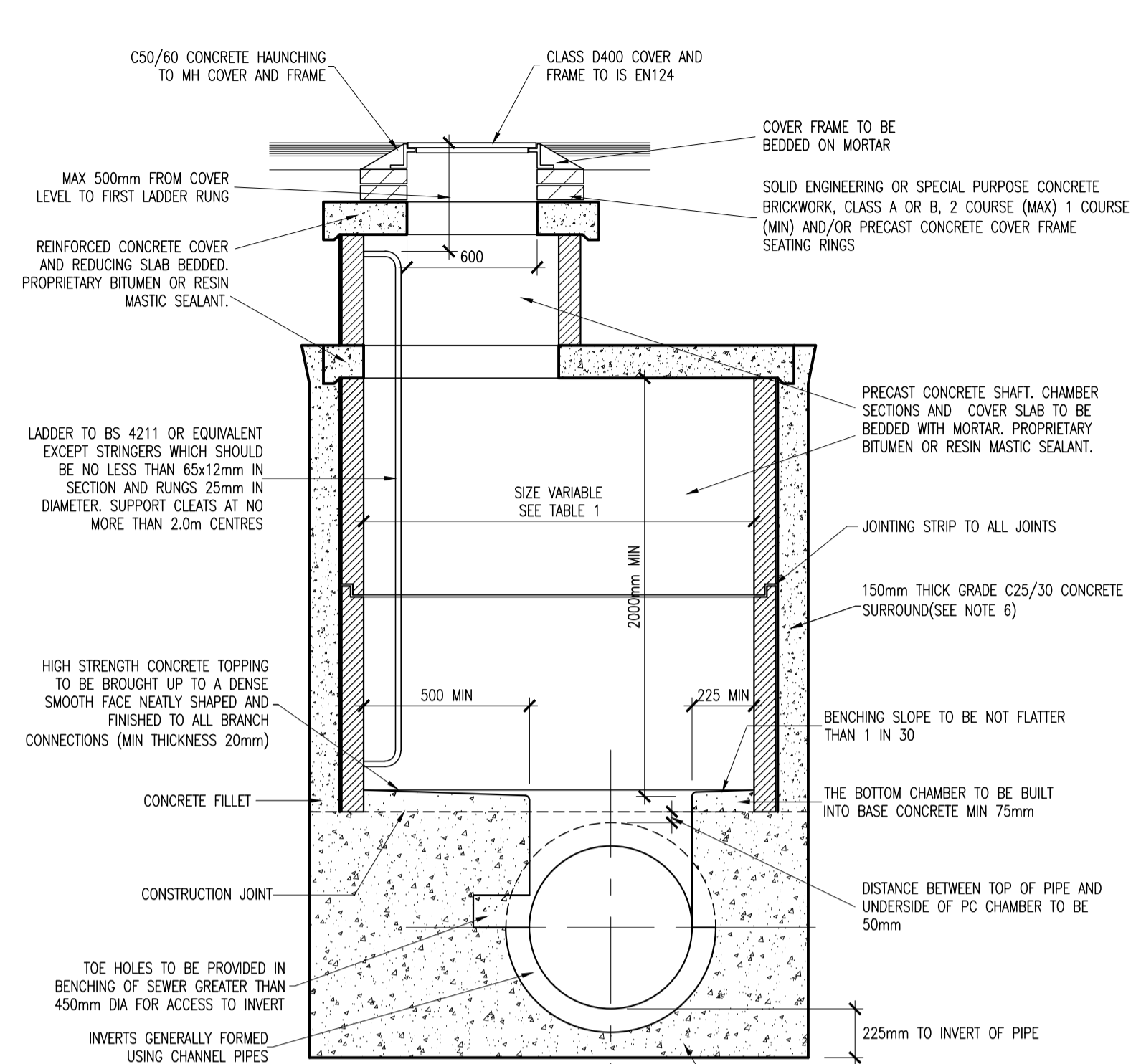


- NOTES:
- ALL REINFORCED CONCRETE ON THIS DRAWING SHALL BE U.N.C.: 35N20 COVER = 50mm MIN.
 - SURFACE FINISHES FOR CONCRETE:
 - CLASS F1 FOR ALL CONCRETE 100mm OR MORE BELOW GROUND LEVEL.
 - CLASS F3 FOR ALL EXPOSED CONCRETE ABOVE 100mm BELOW GROUND LEVEL.
 - ALL EXPOSED CORNERS ON CONCRETE SHALL BE CHAMFERED WITH 25mm x 25mm CHAMFERS.
 - ALL STRUCTURAL CONCRETE (HEADWALLS, PC MANHOLES, PETROL INTERCEPTOR SLABS) TO RECEIVE MC DUR 1680 (OR SIMILAR APPROVED TAR MODIFIED EPOXY RESIN) TO ALL BURIED SURFACES, TO FINISH 100mm BELOW GROUND LEVEL.
 - ALL SEWERS SHALL BE PRESSURE TESTED PRIOR TO BACKFILLING.
 - TYPE 1 GRANULAR MATERIAL: BROKEN STONE OR GRAVEL TO PASS 10mm SIEVE AND BE RETAINED ON 5mm SIEVE.
 - TYPE 2 GRANULAR MATERIAL: BROKEN STONE OR GRAVEL TO PASS 10mm - 25mm SIEVE, ACCORDING TO PIPE SIZE, (SEE TABLE) AND BE RETAINED ON 5mm SIEVE.
 - TYPE 3 SELECTED FILL: UNIFORM READILY COMPACTED MATERIAL FREE FROM TREE ROOTS, VEGETABLE MATTER, BUILDING DEBRIS, AND FROZEN SOIL, AND EXCLUDING CLAY LUMPS RETAINED ON A 75mm SIEVE AND STONES RETAINED ON A 37.5mm SIEVE.
 - RIGID PIPES SHALL MEAN CAST OR SPUN IRON, CONCRETE, ASBESTOS CEMENT OR CLAY.

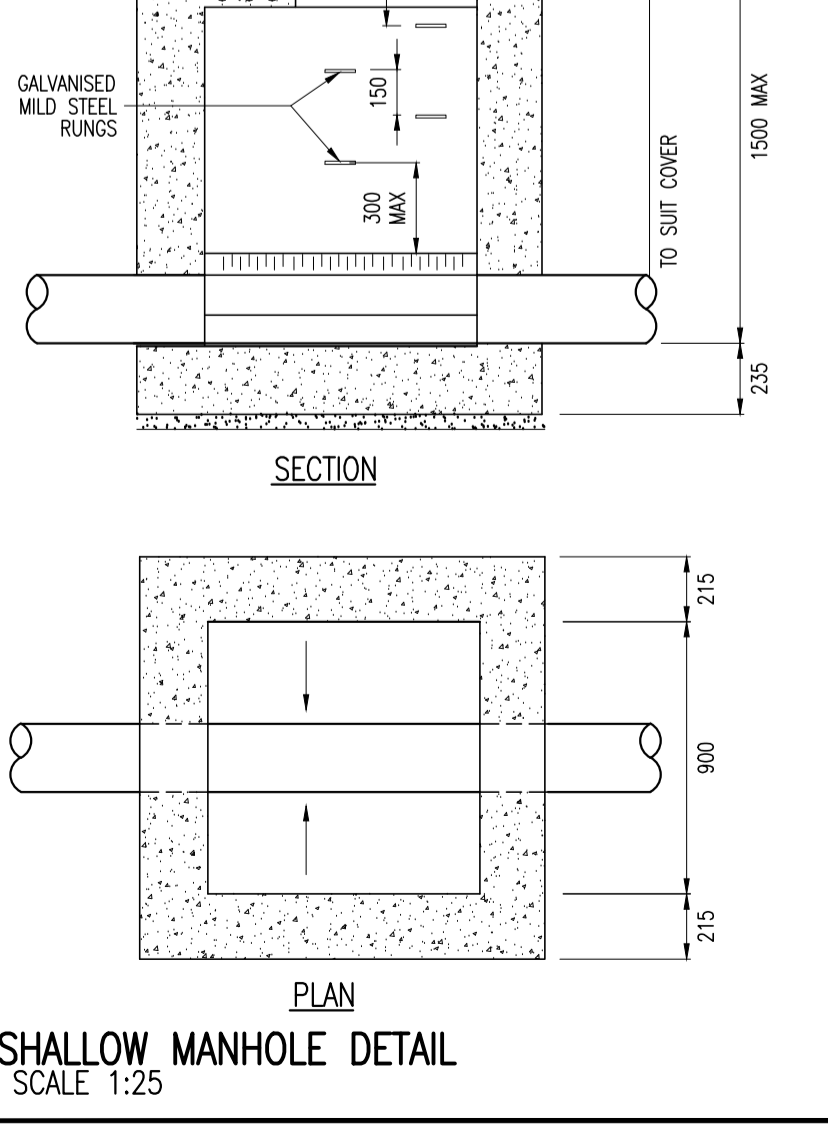
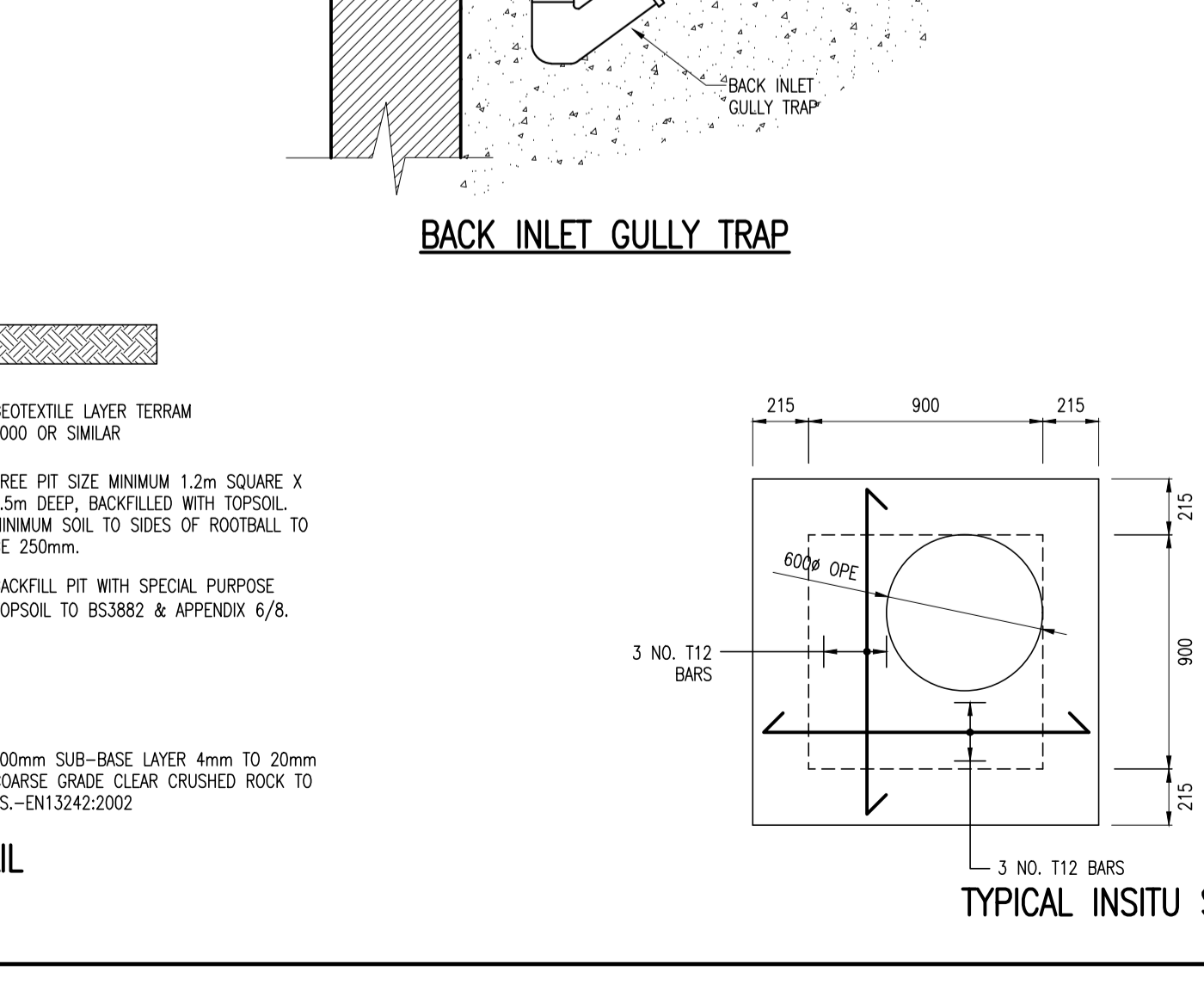
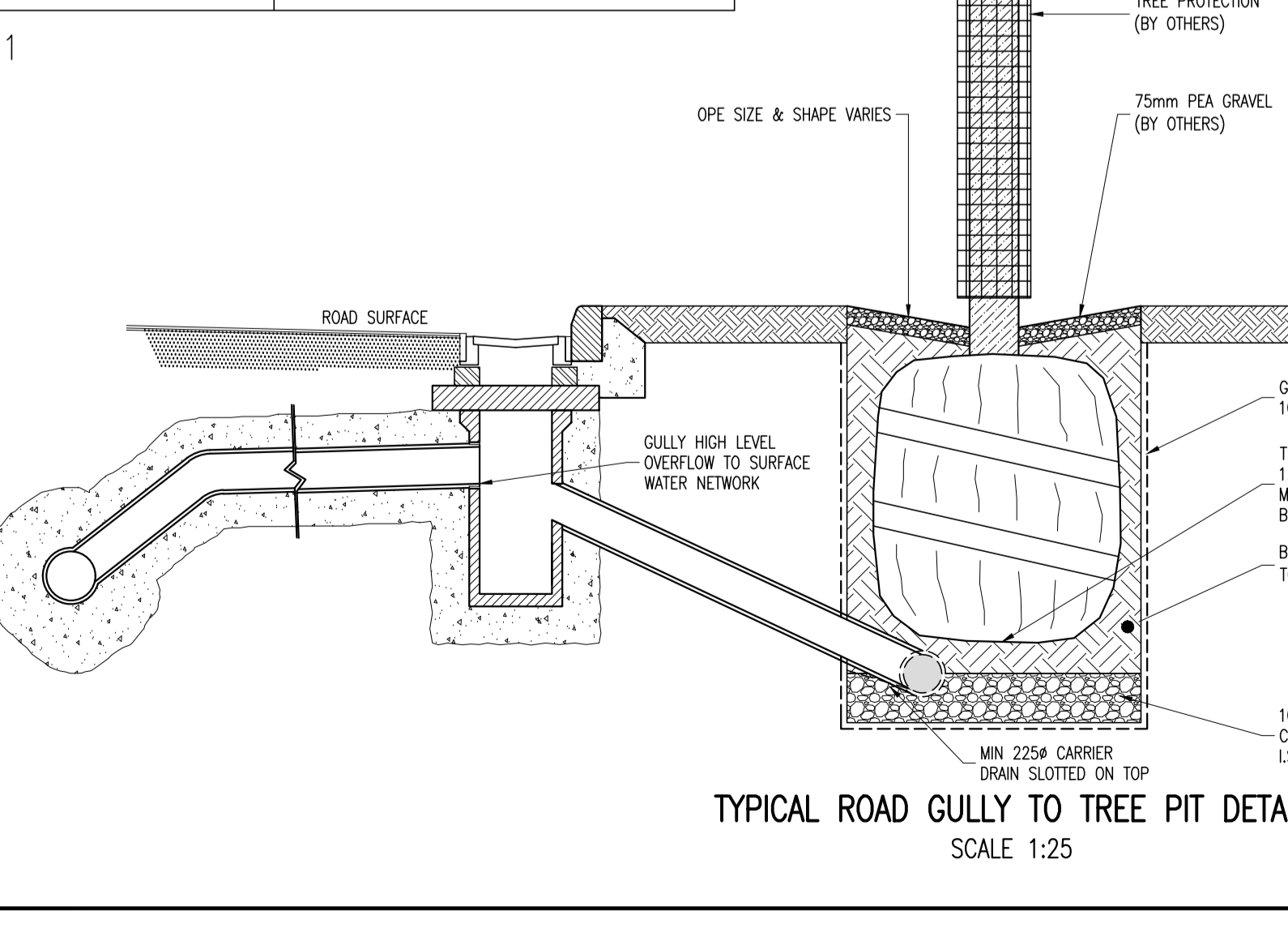
TYPE 2 GRANULAR MATERIAL:

PIPE SIZE	100% PASSING
UP TO 225mm	10mm SIEVE
225 TO 450mm	6mm SIEVE
ABOVE 450mm	25mm SIEVE



IRISH WATER STANDARD DETAILS FOR WATER NETWORKS BROUGHT INTO CONTRACT BY REFERENCE

Drawing Ref	Title
STD-W-01	Water Service Connection Responsibility
STD-W-03	Customer Connection and Boundary Box (25mm OD Pipe)
STD-W-04	General pipe connections (sheet 1 of 7)
STD-W-05	General pipe connections (sheet 2 of 7)
STD-W-06	General pipe connections (sheet 3 of 7)
STD-W-07	General pipe connections (sheet 4 of 7)
STD-W-08	General pipe connections (sheet 5 of 7)
STD-W-09	General pipe connections (sheet 6 of 7)
STD-W-10	General pipe connections (sheet 7 of 7)
STD-W-11	Typical service layout indicating separation distances
STD-W-12	Restrictions on trees / shrubs planting adjacent to watermains
STD-W-13	Trench backfill & bedding
STD-W-14	Sluice valve for ductile iron (D.I.) pipe (<350mm dia.) (sheet 1 of 2)
STD-W-15	Sluice valve for polyethylene (P.E.) pipe (<350mm dia.) (sheet 2 of 2)
STD-W-18	On-line hydrant for polyethylene (P.E.) pipe (sheet 3 of 4)
STD-W-19	Off-line hydrant for polyethylene (P.E.) pipe (sheet 4 of 4)
STD-W-26	Meter chamber (≤300mm dia.)
STD-W-27	Marker posts / plates
STD-W-28	Water main thrust & support blocks
STD-W-35	Pipe Repair to Existing Mains
STD-W-36	Telemetry and Wet Kiosk



06/09/19	FOR ABP APPLICATION	JVS	BK
REV.	DATE	DESCRIPTION	BY / CHKD
PLANNING			
DESIGNED	SPB	PREPARED	JVS
DATE	APRIL 2019	CHECKED	BK
DBFL			
Dublin Office Ormond House, Upper Ormond Quay, Dublin 7, Ireland. PHONE +353 1 400 4000 FAX +353 1 400 4050			
WATERFORD OFFICE Unit 2, The Chandlery, 1-2 O'Connell Street, Waterford, Ireland. PHONE +353 51 388 5500 FAX +353 51 844 913			
DBFL Consulting Engineers enq_info@dbfl.ie www.dbfl.ie			
PROJECT			
RESIDENTIAL SITE CITYWEST			
DRG. TITLE			
TYPICAL DRAINAGE CONSTRUCTION DETAILS SHEET 1			
ARCHITECT			
JOHN FLEMING ARCHITECTS			
SCALE	AS SHOWN @A1	FILE REF.	180078-3011
DRG. NO.	180078-3011		