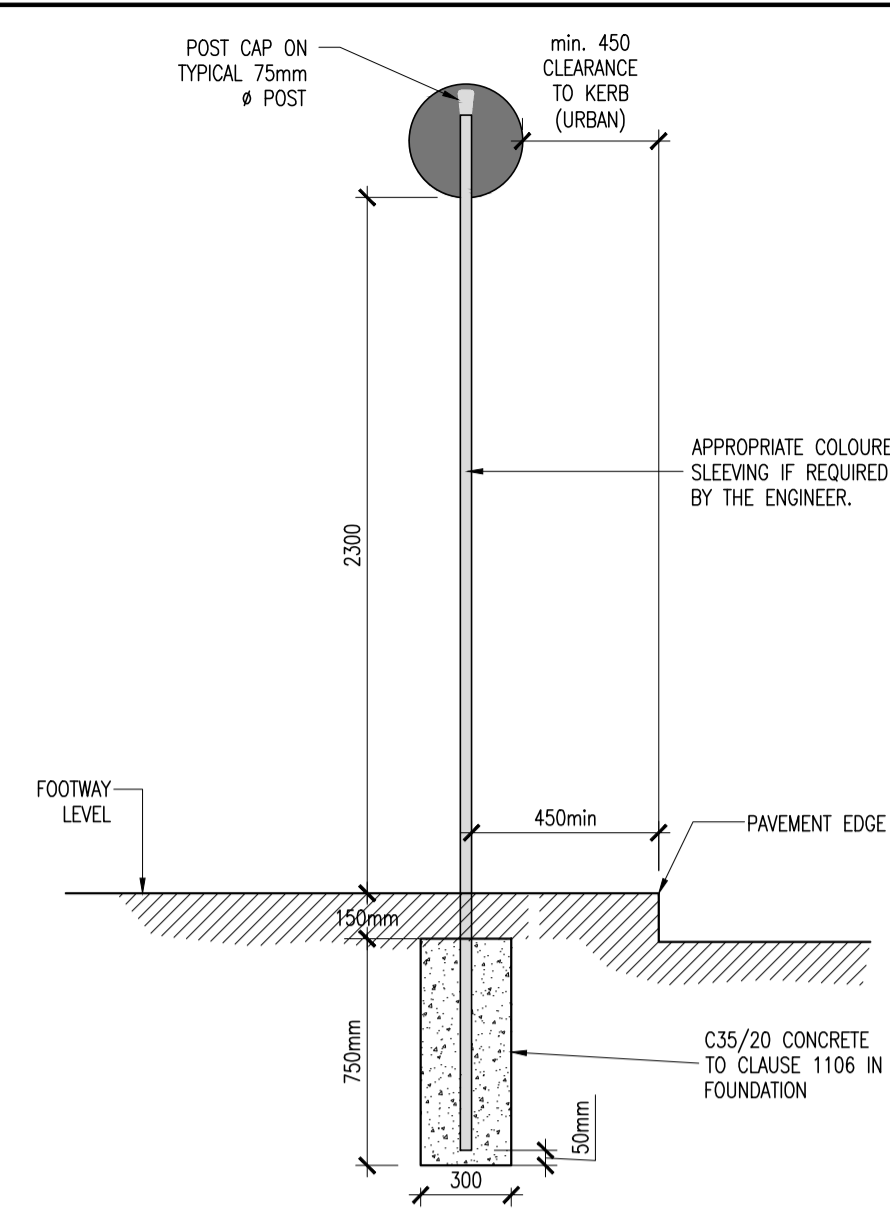
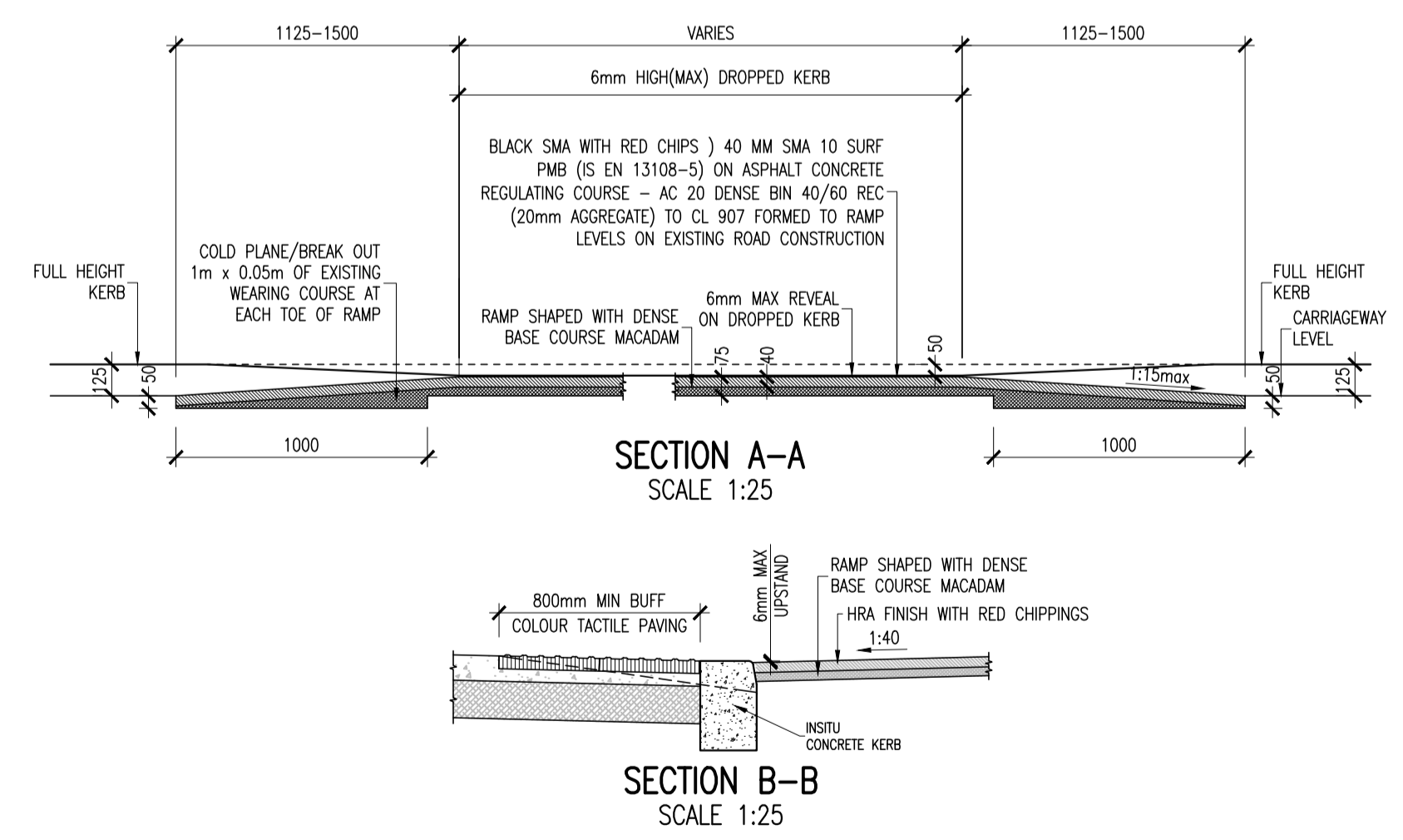
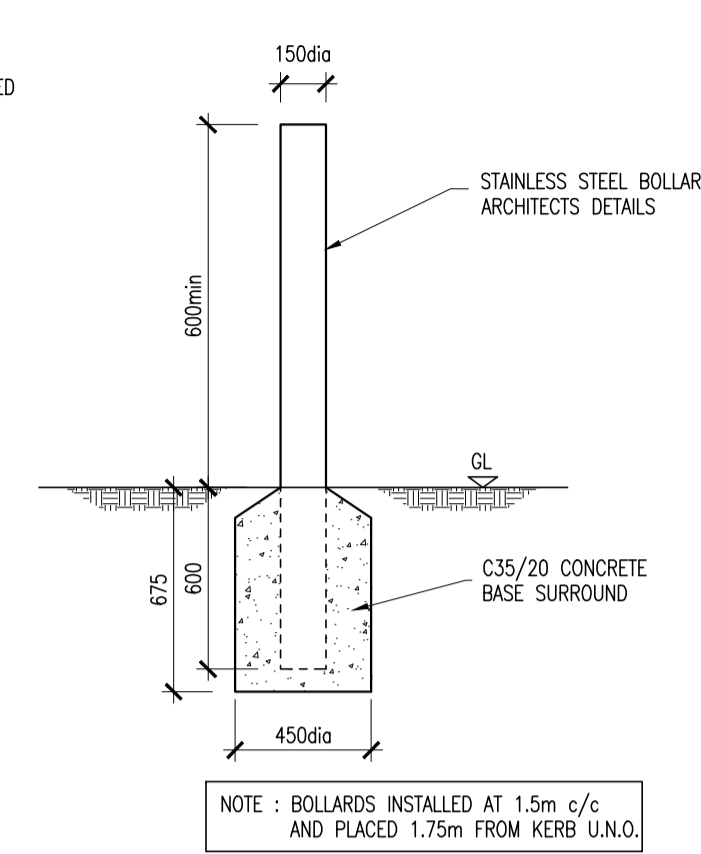


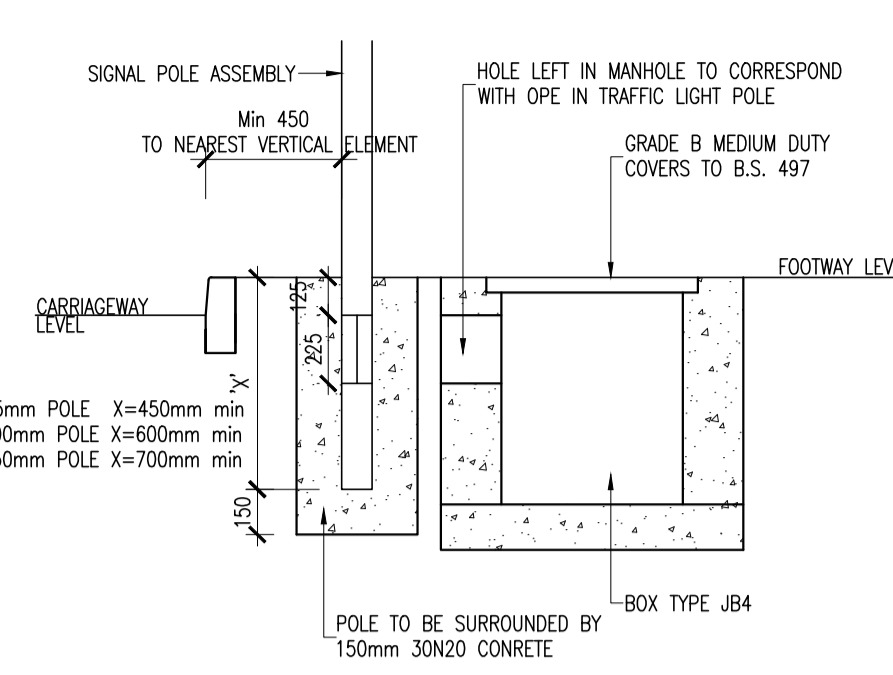
TYPICAL DETAIL - RAISED TABLE  
SCALE 1:50



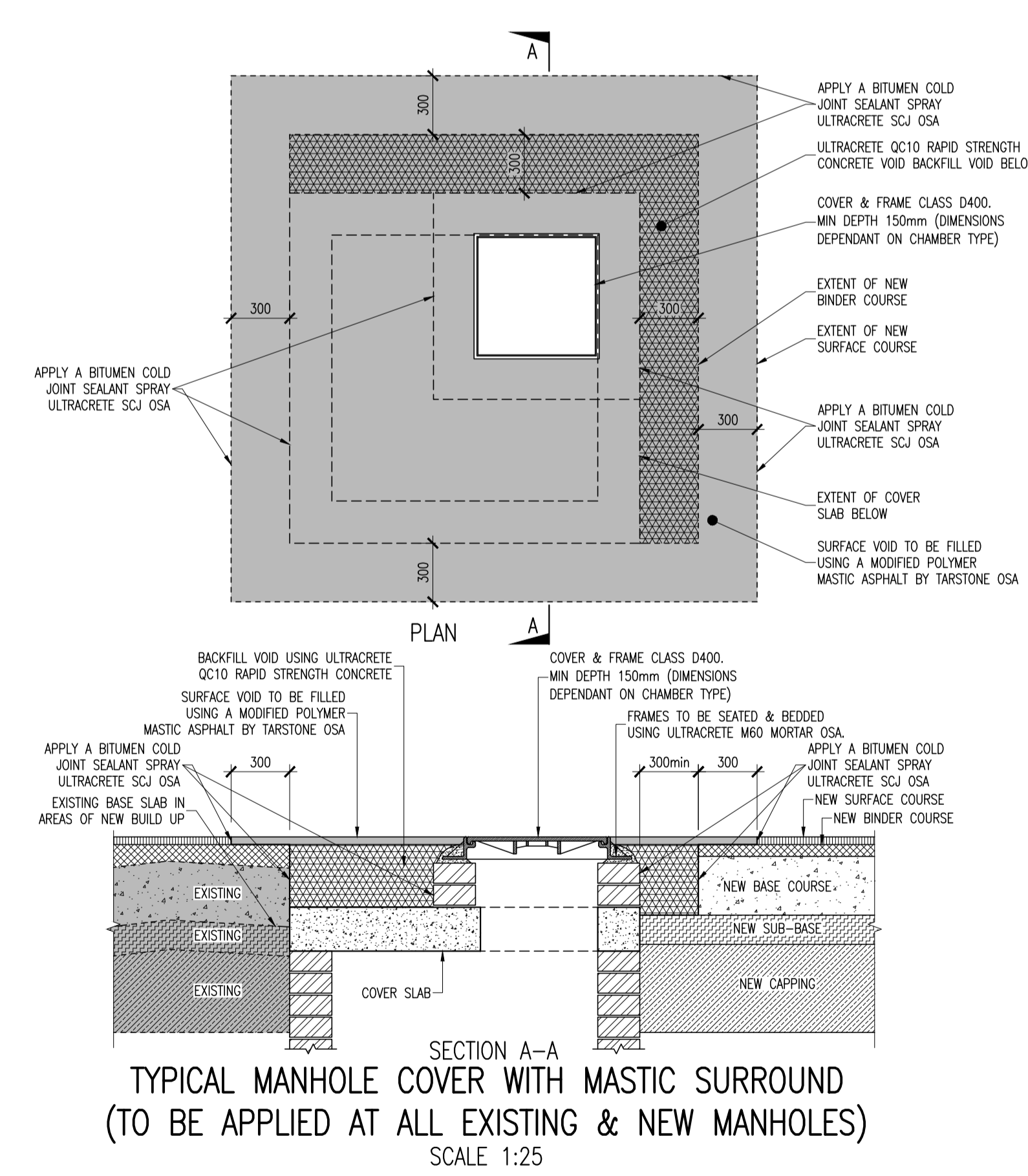
ROAD SIGN (SINGLE POST)  
SCALE 1:25



TRAFFIC BOLLARD DETAIL  
SCALE 1:25

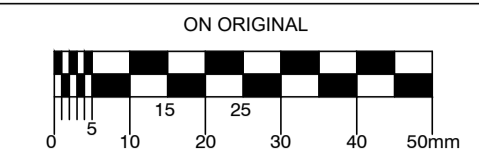


TRAFFIC SIGNAL POLE AND BOX INSTALLATION  
SCALE 1:25



TYPICAL MANHOLE COVER WITH MASTIC SURROUND  
(TO BE APPLIED AT ALL EXISTING & NEW MANHOLES)  
SCALE 1:25

© COPYRIGHT OF THIS DRAWING IS RESERVED BY DBFL CONSULTING ENGINEERS. NO PART SHALL BE REPRODUCED OR TRANSMITTED WITHOUT THEIR WRITTEN PERMISSION.



- NOTES:
- CLOSE GRADED SURFACE COURSE MACADAM SHALL COMPLY WITH THE REQUIREMENTS OF CLAUSE 912 OF THE NRA'S 'SPECIFICATION FOR ROAD WORKS' AND SHALL SATISFY THE REQUIREMENTS OF TABLE 9/2. IT SHALL BE LAID & COMPACTED IN ACCORDANCE WITH CLAUSE 901 & CLAUSE 702.
  - DENSE BITUMEN MACADAM BINDER COURSE SHALL COMPLY WITH THE REQUIREMENTS OF CLAUSE 906 OF THE NRA'S 'SPECIFICATION FOR ROAD WORKS' & SHALL SATISFY THE REQUIREMENTS OF TABLE 9/1. IT SHALL BE LAID & COMPACTED IN ACCORDANCE WITH CLAUSE 901 & CLAUSE 702.
  - SUB-BASE MATERIAL SHALL COMPLY WITH CLAUSE 808 GRANULAR MATERIAL TYPE B OF NRA'S SPECIFICATION FOR ROAD WORKS (SRW) & SHALL SATISFY THE REQUIREMENTS OF TABLE 8/4 & 6/2.
  - SUB FORMATION & CAPPING MATERIAL SHALL COMPLY WITH CLAUSE 613 OF THE NRA'S 'SPECIFICATION FOR ROAD WORKS' & SHALL SATISFY THE REQUIREMENTS OF TABLE 6/1 & 6/2.
  - STONE BUNDLING WITH 2-6.3mm AGGREGATE SHALL MEET THE FOLLOWING GRADINGS, IN ACCORDANCE WITH IS EN 13242:
- | BS SIEVE SIZE (mm) | % BY MASS PASSING |
|--------------------|-------------------|
| 14                 | 100               |
| 10                 | 98-100            |
| 6.3                | 80-99             |
| 2.0                | 0-20              |
| 1.0                | 0-5               |
- CRUSHED STONE WITH 4-20mm AGGREGATE SHALL MEET THE FOLLOWING GRADINGS, IN ACCORDANCE WITH IS EN 13242:
- | BS SIEVE SIZE (mm) | % BY MASS PASSING |
|--------------------|-------------------|
| 40                 | 100               |
| 31.5               | 98-100            |
| 20                 | 90-99             |
| 10                 | 25-70             |
| 4                  | 0-15              |
| 5                  | 0-5               |
- ANY ROADS PROPOSED TO BE USED FOR CONSTRUCTION TRAFFIC ARE TO HAVE INCREASED DEPTH OF SUB-BASE FOR THE DURATION OF CONSTRUCTION IN ACCORDANCE WITH DBFL SPECIFICATIONS.
  - ALL WORKS SHALL BE COMPLETED IN ACCORDANCE WITH THE REQUIREMENTS OF THE LOCAL AUTHORITY.
  - ALL GEOTRIDS TO BE LAID IN ACCORDANCE WITH MANUFACTURERS SPECIFICATIONS.
  - ALL PERMEABLE PAVING SUB-FORMATION TO BE LAID TOWARD DRAINAGE PIPEWORK.

REV	DATE	DESCRIPTION	BY	CHKD
-	06/05/19	FOR APB APPLICATION	JVS	BK

PLANNING

DESIGNED	SPB	PREPARED	JVS
DATE	APRIL 2019	CHECKED	BK

**DBFL** CONSULTING ENGINEERS  
 Dublin Office: Ormrod House, Upper Ormrod Quay, Dublin 7, Ireland. PHONE +353 1 400 4000 FAX +353 1 400 4050  
 Waterford Office: Unit 2, The Chandley, 1-2 O'Connell Street, Waterford, Ireland. PHONE +353 51 309 500 FAX +353 51 844 913

PROJECT  
**RESIDENTIAL SITE CITYWEST**

DRG. TITLE  
**TYPICAL ROAD CONSTRUCTION DETAILS SHEET 3**

ARCHITECT  
**JOHN FLEMING ARCHITECTS**

SCALE	AS SHOWN @A1	FILE REF.	180078-2010
DRG. NO.	180078-2012		